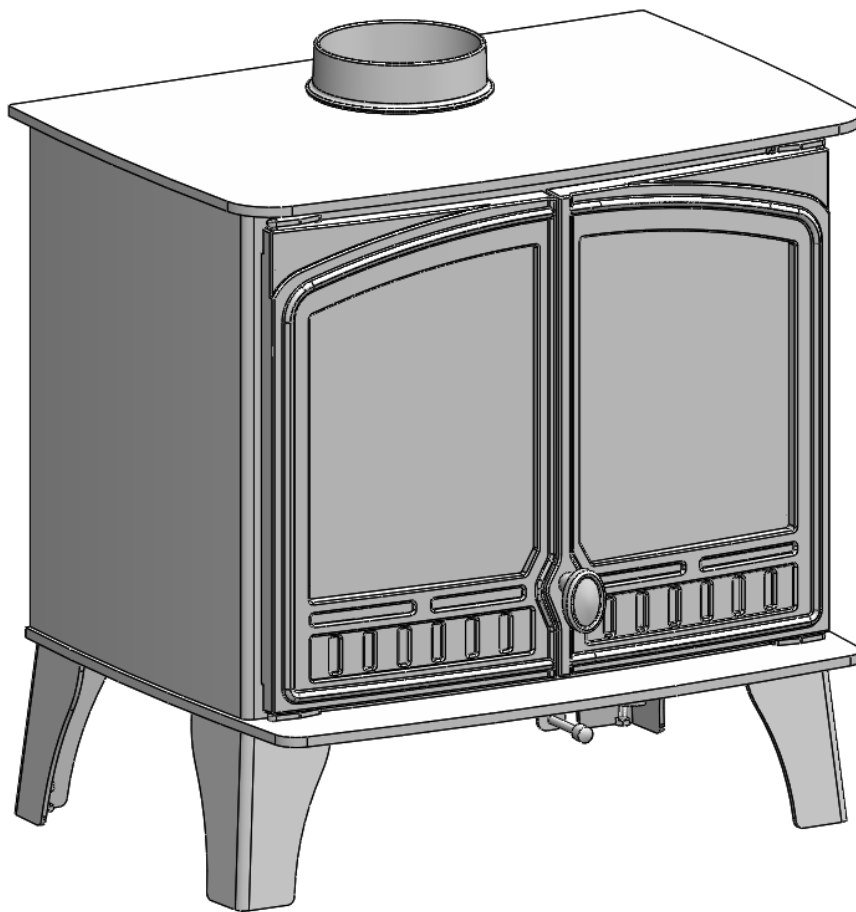


Installation Instructions

Herald 14 Eco Boiler Stove



hunterstoves

GROUP



Contents

1	Introduction	3
2	Safety	3
	3.1 General	3
	3.2 Safety instruction	3
3	Technical specifications	4-7
	3.1 Technical data	4
	3.2 Product fiche	4
	3.3 Item list	5
	3.4 Appliance dimensions	6
	3.5 Material clearances	7
4	Installation requirements	8-12
	4.1 Legal requirements	8
	4.2 Competence person scheme	8
	4.3 Flue & chimney requirements	8
	4.4 Hearth	8
	4.5 Combustion air supply	9
	4.6 Material clearances	9
	4.7 Carbon monoxide (CO) alarm	9
	4.8 Boiler requirements	9-11
	4.9 Certificate of compliance	12
5	Stove adjustment & installation	12-20
	5.1 Log guard	12
	5.2 Fire bricks	13-14
	5.3 Baffle	15
	5.4 Water circuit connection	15
	5.5 Rear flue connection	16
	5.6 Direct air (optional)	16
	5.7 DEFRA setting	17
	5.8 Adjusting the height of the appliance	17
	5.9 Flue connection	18-19
	5.10 Commissioning	20
6	Servicing	20-23
	6.1 Servicing checklist	20
	6.2 Removing the door	21-22
	6.3 Fitting new glass	22
	6.4 Fitting new door rope	23
	6.5 Adjusting the door catch	23
	6.6 Service records	24



1 Introduction

This appliance was designed and manufactured with the highest possible quality, performance and safety requirements. The appliance is supplied with an installation and user manual and should be kept safe for future reference. Installation and maintenance of the appliance should be carried out by a qualified professional. The professional is responsible for the safe installation of this appliance and the information in this manual will ensure the appliance is installed safely and correctly. If the information is not clear, national or local regulations must be observed. Hunter Stoves cannot accept responsibility for any fault arising from incorrect installation or operation of this product.

2 Safety

2.1 General

Please read all instructions carefully before attempting to install or operate this appliance. Failure to do so could result in a fire causing property damage, personal injury, or loss of life.

IMPORTANT: These instructions must be left with the user.

2.2 Safety instructions

Special care must be taken when installing the stove and that the requirements of the Health and Safety at Work Act 1974 are adhered to.

Handling

This appliance is very heavy. Adequate facilities must be available for loading, unloading and side handling.

Fire Cement

Some types of fire cement are caustic and should not be allowed to come into contact with the skin. In case of contact, wash immediately with plenty of water.

Asbestos

This stove contains no asbestos. If there is any possibility of disturbing any asbestos in the course of installation, then please seek specialist guidance and use appropriate protective equipment.

Metal Parts

When installing or servicing this stove, care should be taken to avoid the possibility of personal injury.



WARNING!

The appliance is a heating device and all visible surfaces become extremely hot during operation. Avoid contact with the appliance to prevent burns. It is recommended that a fire-guard is installed in the presence of children, the elderly or the infirm. The fire-guard should be manufactured in accordance with BS8423.



3 Technical specifications

3.1 Technical data

Model:	Herald 14 Eco Boiler
Efficiency (%)	77
Nominal Space Heating Output (kW)	5.8
Nominal Water Heating Output (kW)	3.9
CO @ 13% O ₂ (%)	0.045
Mean Flue Temperature (°C)	303
Min. Draft (Pa)	11
Max Water Operating Pressure (Bar)	2
Weight, w/o water (kg)	190

3.2 Product fiche

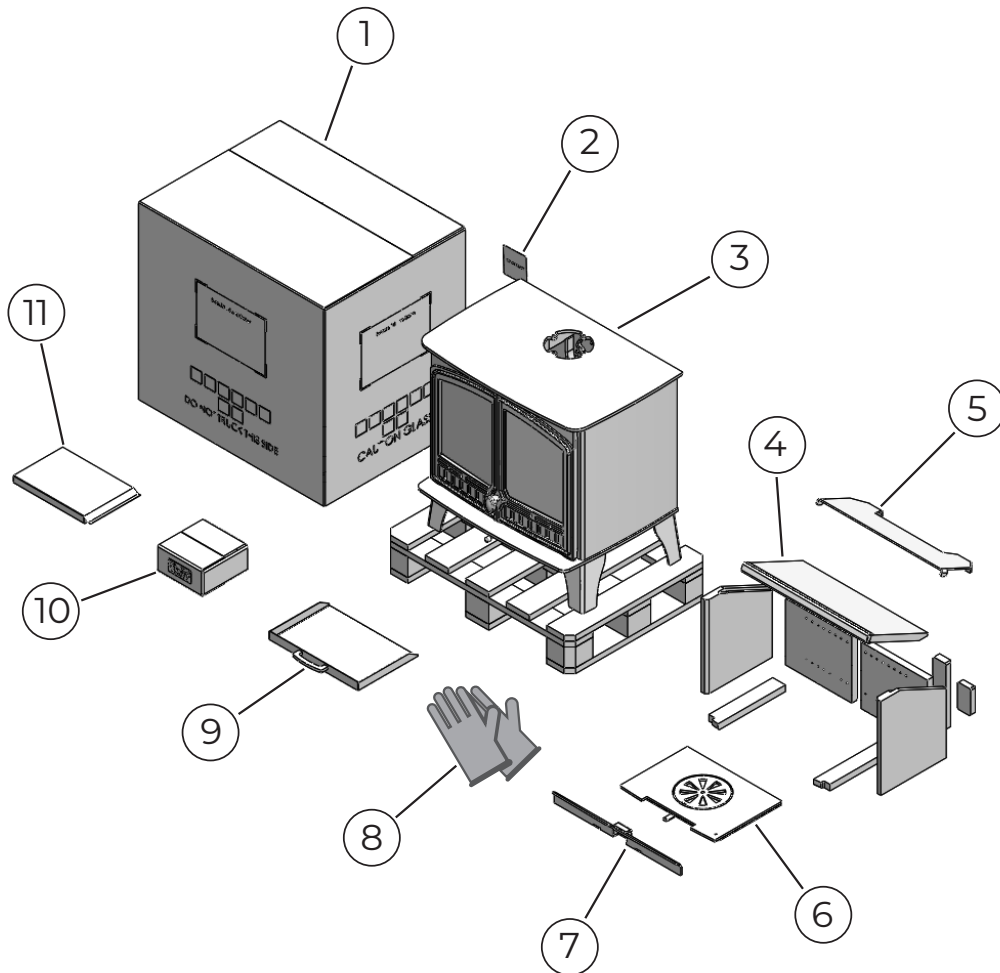
Model:	Herald 14 Eco Boiler
Energy Efficiency Class	A
Direct Heat Output (kW)	9.8
Indirect Heat Output (kW)	-
Energy Efficiency Index (EEI)	102
Useful Energy Efficiency at Nominal Heat Output (%)	77
Safety Precautions	Local space heater must be assembled, installed and maintained in accordance with manufacturers instructions.

In accordance with Regulation (EU) 2015/1186



3.3 Item list

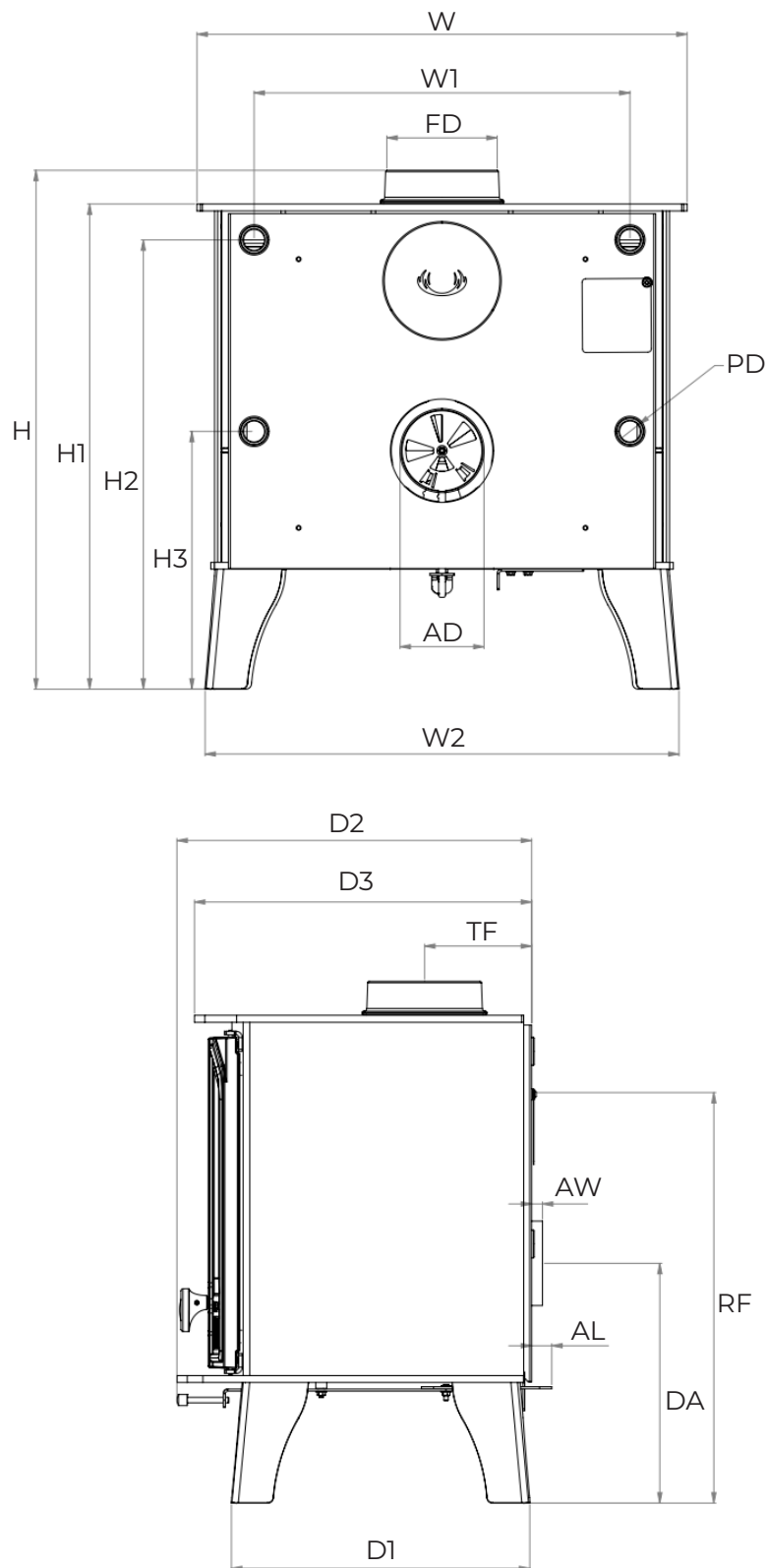
Note the items listed below when removing the packaging. Check the appliance and accessories for any damages. Please contact the supplier if any of the components are missing or damaged. The appliance is delivered in packaging that can be recycled. The glass cannot be recycled so must be disposed of along with any ceramics or porcelain waste in accordance with local regulations. Keep plastic bags away from children.



Packaging Checklist	
1	Box
2	Data plate
3	Appliance
4	Fire bricks
5	Secondary baffle plate
6	Grate
7	Log Retainer
8	Gauntlet (pair)
9	Ash pan
10	Flue Collar with Fixings
11	Instruction pack



3.4 Appliance dimensions



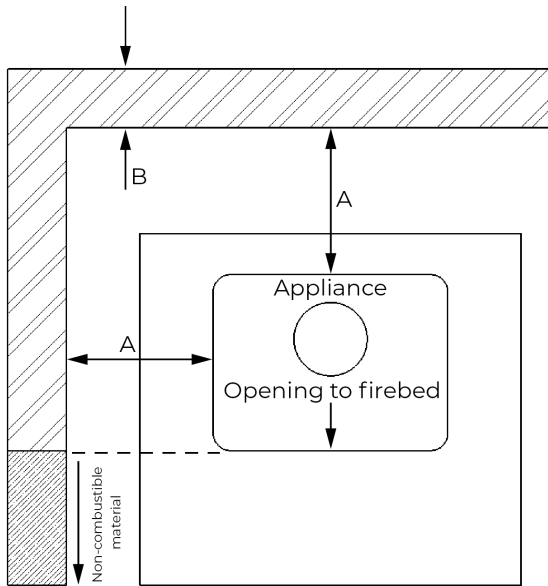
Dimensions	H	H1	H2	H3	W	W1	W2	FD	AD	PD	D1	D2	D3	TF	RF	DA	AW	AL
Herald 14 Eco Boiler	754	704	652	374	712	546	689	152	122	1" BSP	431	512	487	155	593	346	16	29

Dimension in mm



3.5 Material clearances

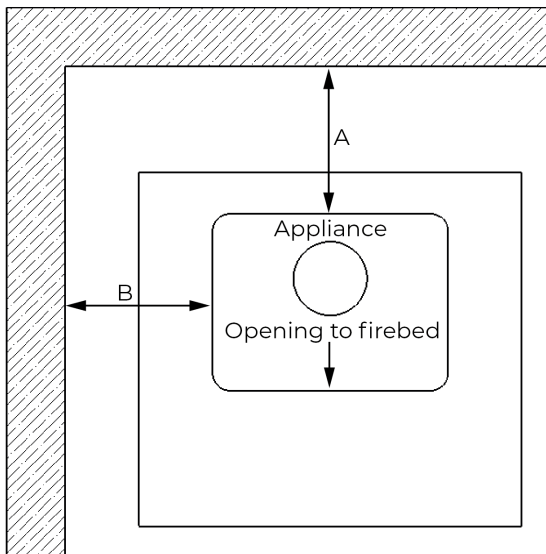
Non-combustible material



Non-Combustible Material		
A	B Wall thickness	Height above appliance
0mm - 50 mm	200mm	300mm from the top of appliance
51mm+	75mm	

* Recommended 50mm + (See 4.6 for details)

Combustible Material



Combustible Material		
Model	A	B
Herald 14 Eco Boiler	135mm	350mm

Hearth Requirements

All appliances must be installed on a non-combustible constructional hearth measuring at least 125mm thick. The position of the stove and the size of the hearth are governed by the building regulations (Approved Document J). If in doubt as to the positioning of the stove expert advice should be sought either from the supplier or the local building inspector.



4 Installation requirements

4.1 Legal requirements

These instructions cover the requirements to ensure satisfactory installation of the appliance, although details may need slight modification to suit particular local site conditions. In all cases the installation must comply with current building regulations, local authority bye-laws, European and national standards and other specifications or regulations.

4.2 Competent persons scheme

Hunter Stoves Group recommend that this stove be installed by a member of an accredited competent persons scheme e.g. HETAS. If the installer is not a member of a competent person's scheme, it is a legal requirement, in the UK, to notify your Local building Control Officer in advance of any installation work starting.

4.3 Flue & chimney requirements

The appliance installation and connection to a flue or chimney must comply with the current building regulations. Ensure the flue or chimney is inspected and swept prior to installation by a qualified chimney sweep.

It is essential that all connections between the appliance and flue or chimney are sealed and made airtight. Any bend in the chimney or connected flue pipe should not exceed 45°. The minimum recommended chimney length is 3.5 m with a cross sectional area of 175-200 cm².

If the installation requires a register plate or flexible flue liner system to be fitted it must conform to the current building regulations.

Suitable access to the full length of the flue or chimney system must be provided for cleaning and the removal of debris.



WARNING!

This appliance must not be installed into a flue or chimney that serves any other heating appliance.

4.4 Hearth

The stove should stand wholly above a solid, non-combustible hearth, at least 125 mm thick (this may include the thickness of a solid floor). Please refer to Building Regulations Approved Document J for further information.

The appliance must be installed on a floor with adequate load-bearing capacity. If the existing construction does not meet this pre-requisite, suitable measures (e.g. load distributing plate) should be put in place.



4.5 Combustion air supply

The room or space with which the appliance is going to be installed into requires a permanently open vent. The size of the opening is governed by Building Regulations Approved Document J, section 2, table 1.

Due consideration should be given to air requirements for any other appliance in the same room or space.

Any air opening must be kept clear from blockage or obstruction.

Attention is needed in new built properties where the design air permeability is less than $5\text{m}^3/(\text{h}\cdot\text{m}^2)$ at 50 Pa. Approved Document J and Appendix F gives further information. A window opening is not appropriate.

Fitting a stove in a room which also contains an extractor fan and/or cooker hood should be avoided where possible. If this is unavoidable, the suitability of the space for fitting this appliance must be decided at the discretion of a qualified installer, and a flue draught interference test must be performed.

4.6 Material clearances

Clearance to combustible materials are stated in accordance with BS EN 13240, where a combustible surface at the stated distance will be less than 65°C above ambient room temperature (under test conditions). This applies in all directions, e.g. towards walls and towards the hearth. For additional information, refer to page 7.

For clearance to non-combustible materials Hunter Stoves recommends a minimum gap of 50 mm around the stove to provide space for convection around the appliance, improving heat transfer to the room. For additional information, refer to page 7. Additionally more information can be found in Building Regulations Approved Document J.

4.7 Carbon monoxide (CO) alarm

In compliance with Building Regulations, a carbon monoxide (CO) alarm must be installed in the room where the stove is located that conforms to BS EN 50291. See EN 50292 and the alarm manufacturer's instructions for installation guidance.

The use of such an alarm is not considered a substitute for regular maintenance or servicing of the appliance and flue system.

4.8 Boiler requirements

It is the responsibility of the installation engineer that the appliance is installed correctly and safely and that the relevant installation requirements are met.

Do not under any circumstances connect the stove to a sealed (pressurised) heating system or unvented hot water cylinder.

Do not link the stove into a heating or hot water system with an existing boiler without the use of suitable equipment such as a neutraliser. When fitting this type of system, the neutraliser manufacturer's instructions must be followed.



Do fit an open cold feed and expansion cistern with separate cold feed and vent pipes. The cold feed and vent pipes must be unvalved. The open vent pipe should have a diameter of 22mm and rise continuously from the boiler. It is common practice to form the vent pipe from an extension of the primary flow (see diagram).

Do connect the stove to a double feed, indirect hot water cylinder via 28mm copper flow and return pipework, rising continuously from the boiler to the cylinder. The cylinder and heat leak radiator must be sited higher than the stove.

Semi pumped systems should be used on heating and hot water systems with gravity circulation to the hot water cylinder and one unvalved 2 KW radiator to act as a heat leak when the central heating is switched off.

All four tappings on wraparound boilers should be used for systems incorporating separate gravity and pumped heating loops. Each flow and return should be taken from diagonally opposite sides of the boiler.

If a common flow and return is used, these should also be taken from diagonally opposite sides of a wraparound boiler, and plugs inserted into the sockets not used.

Systems using a common flow and return to the boiler should incorporate an injector tee on the primary return connection from the central heating pump (see diagram).

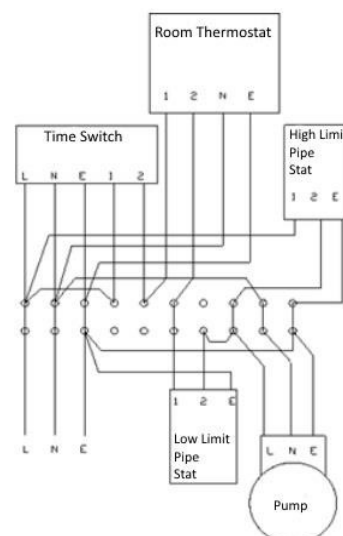
A HIGH LIMIT thermostat should be fitted to the gravity flow pipe close to the boiler and set at 90°C. This should override any pump control, switching the pump on and dissipating any excess heat around the radiator circuit.

To prevent boiler corrosion due to condensation it is necessary to maintain the return water temperature above 45°C. This can be achieved by the use of a LOW LIMIT thermostat on the return pipe from the hot water cylinder, close to the boiler. The thermostat should make on temperature rise, preventing the circulating pump from operating until the gravity circuit is up to temperature.

A corrosion inhibitor should be added to the system to ensure satisfactory performance and long system life.

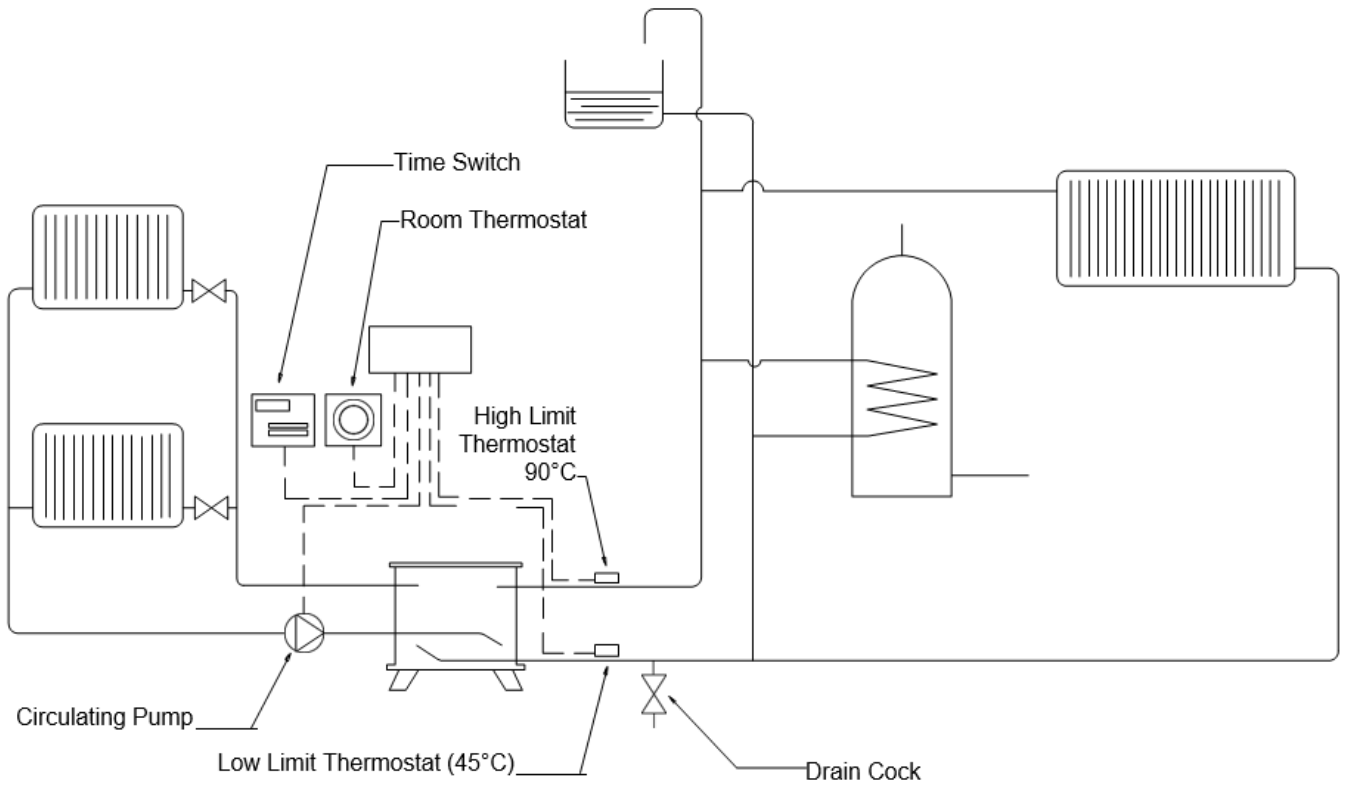
Wiring diagram for general guidance only

All electrical work must be carried out by a competent electrician in accordance with the rules in force and the instructions provided by the circulating pump and heating controls manufacturer.

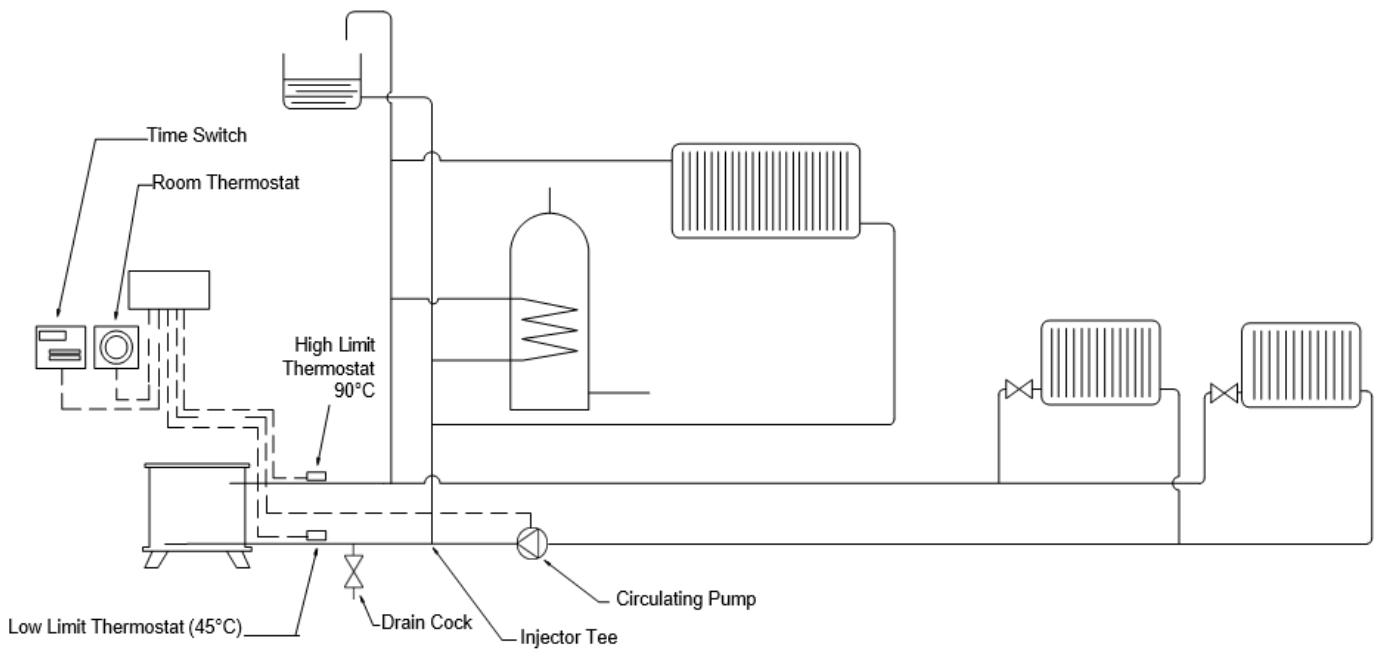




Four tapping system



Two tapping system





4.9 Certificate of compliance

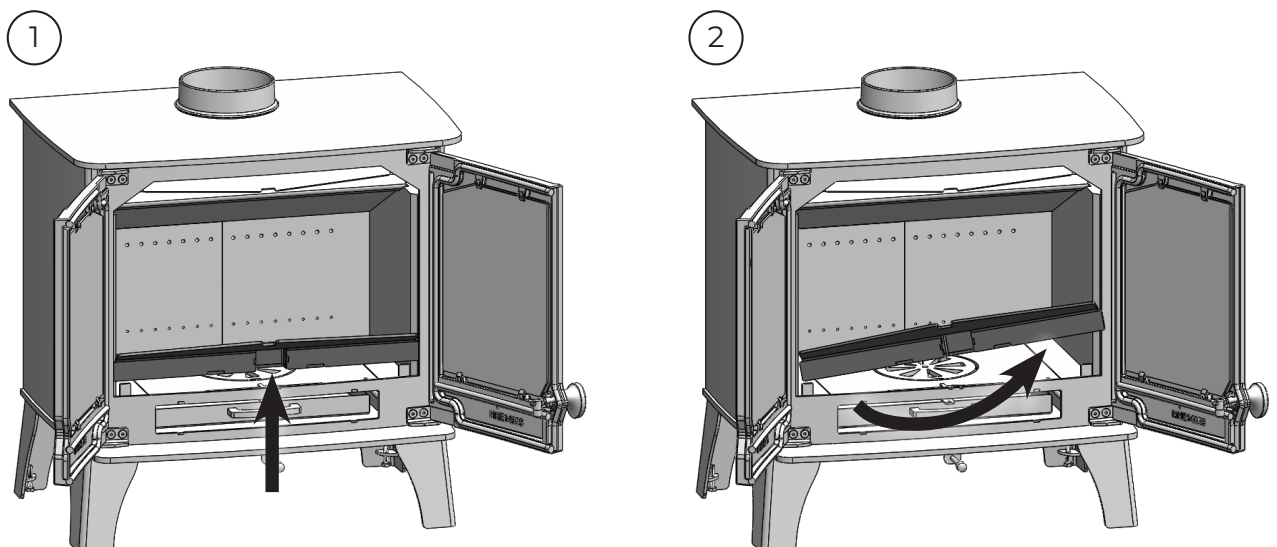
After completion of the appliance installation please ensure the form below (specimen) is completed by the installation engineer to comply with the requirements of HETAS and building regulations. The installation engineer must supply these details, including registration number for any insurance details that may need changing after installation of the appliance.

HETAS LTD - CERTIFICATE OF COMPLIANCE	
PLEASE TICK APPROPRIATE BOXES OR ENTER DETAILS IN BOXES BELOW	
Record ID (HETAS Use Only)	(*Indicates that this data must be given)
Customer Name	*
Installation Address	*
Installation Address	*
Installation Address	*
Installation Address	*
Team	*
Photoable	*
Work Completion Date	*
Local Authority Name (Must be given if no postcode available)	*
Installing Company Name	*
Company's HETAS Reg. No.	*
Installing Engineer's Name	*
Engineer's HETAS Reg. No.	*
Description of Work	
Location:	Living Room <input type="checkbox"/> Kitchen <input type="checkbox"/> Utility Room <input type="checkbox"/> Bedroom <input type="checkbox"/> Other (Specify) <input type="checkbox"/>
Appliance:	Dry Open Fire <input type="checkbox"/> Open Fire with Boiler <input type="checkbox"/> Dry Cooker <input type="checkbox"/> Central Heat Boiler <input type="checkbox"/>
	Dry Heater/Boiler <input type="checkbox"/> Roomheater/Boiler with Boiler <input type="checkbox"/> Independent Boiler <input type="checkbox"/>
Make	Model Heat Output kW
System:	New Heating and Hot Water System <input type="checkbox"/> Updated Existing Heating and Hot Water System <input type="checkbox"/> Dry System Only <input type="checkbox"/>
Hot Water System:	Is the Hot Water System Unvented? <input checked="" type="checkbox"/> Y <input type="checkbox"/> N
Chimney:	New Insulated Factory Made Chimney System Installed <input type="checkbox"/>
Relining of existing chimney:	Twin Wall Flexible Liner for Class 1 Appliances <input type="checkbox"/> Cast Iron Liner <input type="checkbox"/>
	Rigid Sectional Liner Metal <input type="checkbox"/> Rigid Sectional Liner Other <input type="checkbox"/>
Hearth:	New Hearth/Surround fitted <input type="checkbox"/> Existing Hearth/Surround Updated <input type="checkbox"/>
Additional Information	
Connecting fluepipe:	Diameter mm Socket joints upward and gas tight <input type="checkbox"/>
Provision for sweeping chimney/fluepipe:	Yes <input type="checkbox"/> No <input type="checkbox"/> Chimney Data Plate Location: *
Air supply:	Has a permanently open air vent been fitted? Yes <input type="checkbox"/> No <input type="checkbox"/>
	Is vent opening at least 50% of cross sectional area of throat/flue <input type="checkbox"/> or, State total free area of air vent <input type="text"/>
Control an approved Carbon Monoxide alarm has been fitted	<input type="checkbox"/>
Testing & Commissioning to Approved J Appendix B	
Control you have commissioned and tested the appliance & associated work for safe and efficient operation	<input type="checkbox"/>
Declaration of compliance: As the competent person responsible for the work described above, I confirm that the appliance and associated work has been installed in accordance with the HETAS rules of registration, and that the work complies with Regulations 4 and 7 of the Building Regulations, and Approved Documents J, G & L, as applicable.	
Signed: _____ Print name: _____ Date: _____	
COPIES OF THIS COMPLETED CERTIFICATE MUST BE (JANET) COPY SENT TO HETAS LTD AT THE ADDRESS GIVEN BELOW (JANET COPY) GIVEN TO THE CUSTOMER FOR RETENTION (JANET COPY) RETAINED BY THE INSTALLING COMPANY	
THIS CERTIFICATE SHOULD BE RETAINED BY THE PROPERTY OWNER WHO MAY BE REQUIRED TO PRODUCE IT IN ANY FUTURE SALE OF THE PROPERTY.	
HETAS Ltd, PO Box 37, Bishop Cleeve, Glos, GL52 5TB HETAS Ltd © (Oct 2015)	

5 Stove adjustment and installation

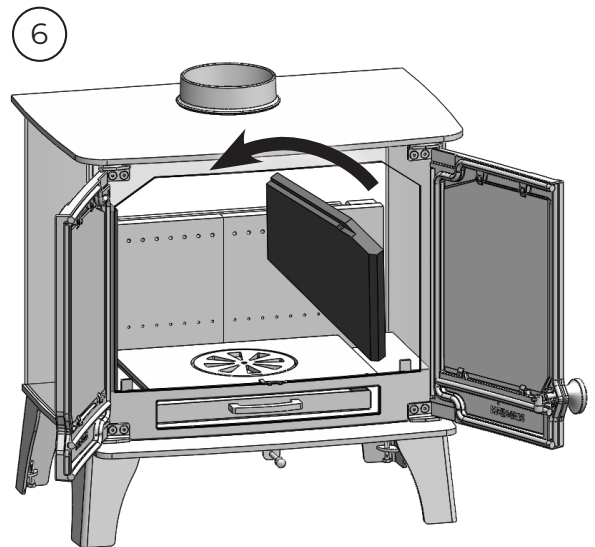
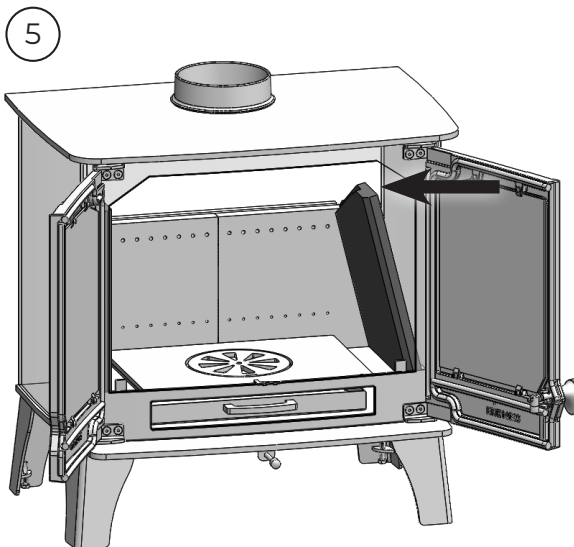
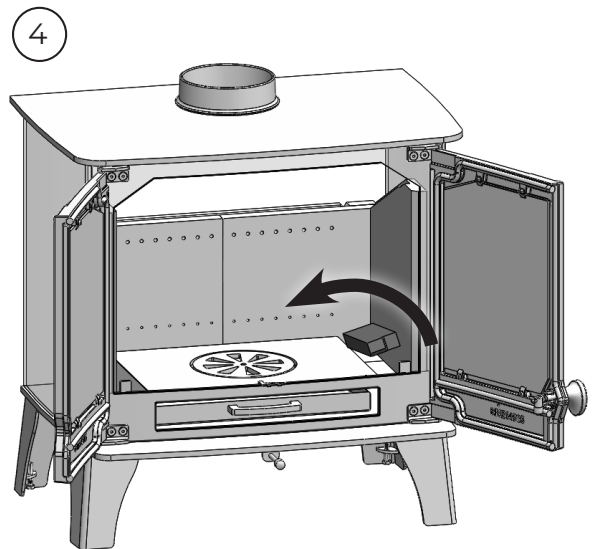
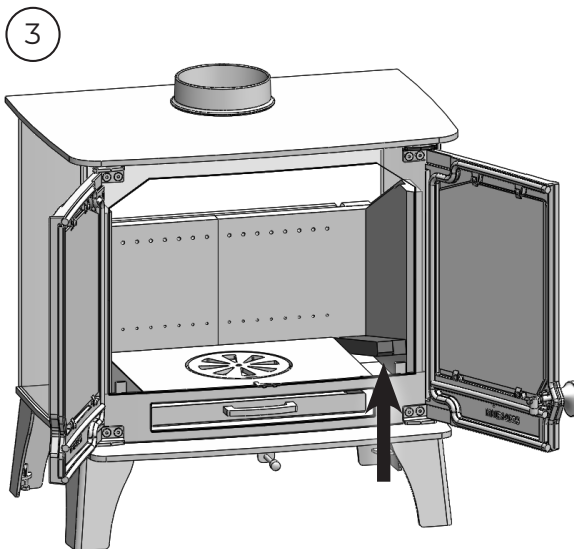
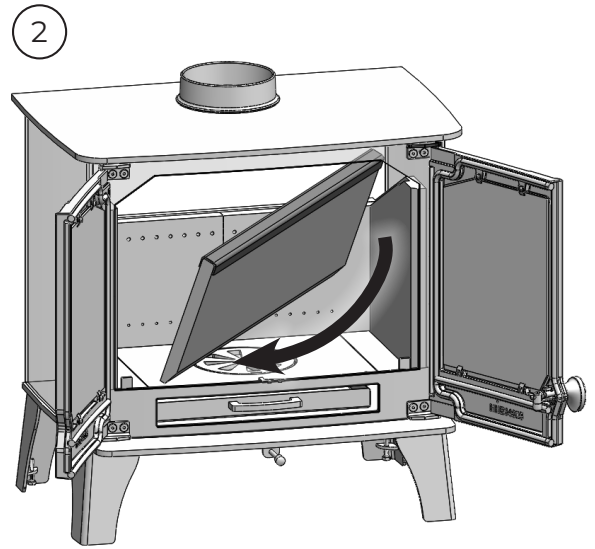
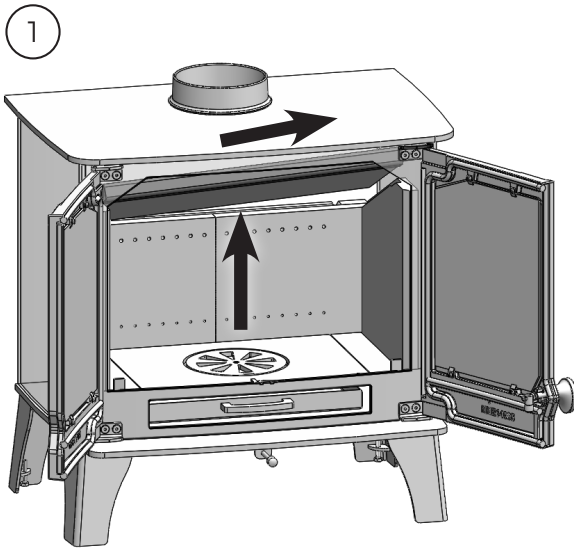
Prior to installation all internal components should be removed. This will make handling the appliance easier, allow access to fixings and the flue outlet, as well as protect the internal components from damage during the installation process.

5.1 Log guard



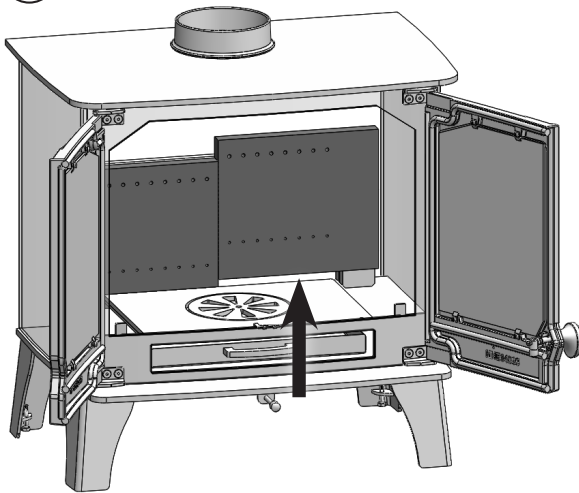


5.2 Fire bricks

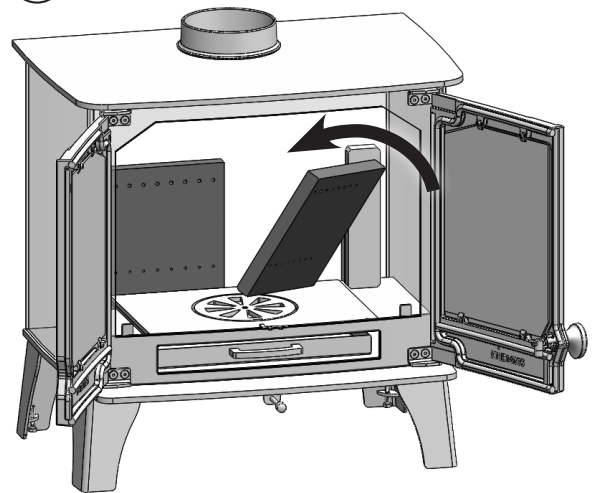




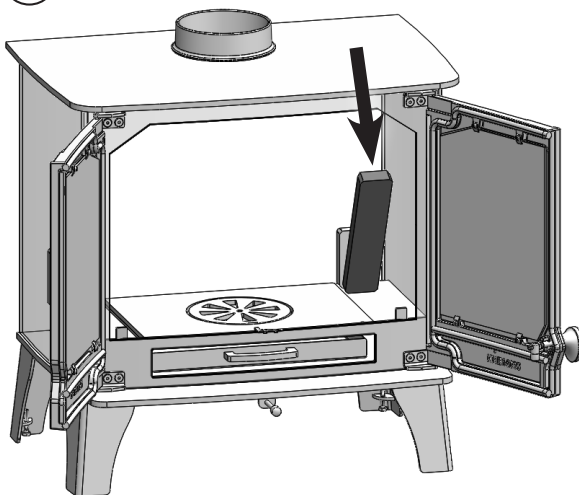
7



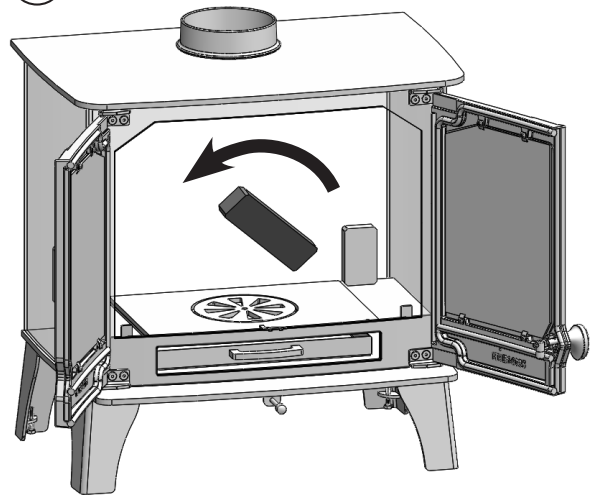
8



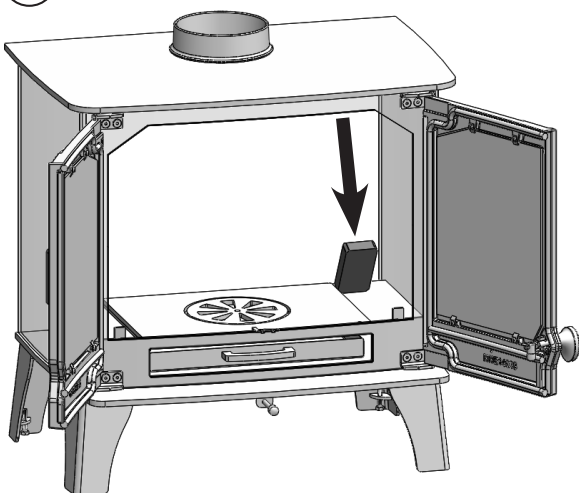
9



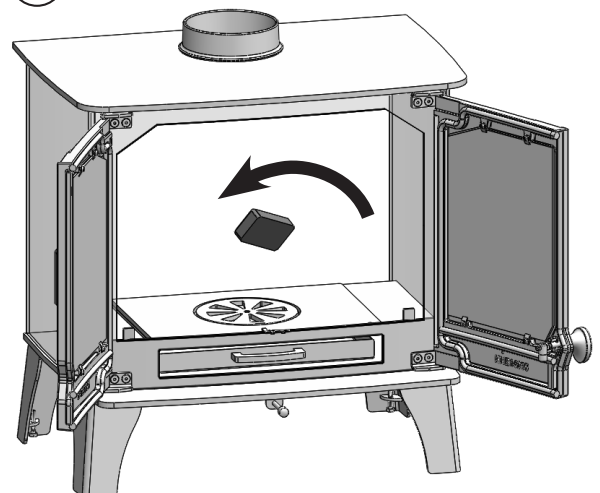
10



11

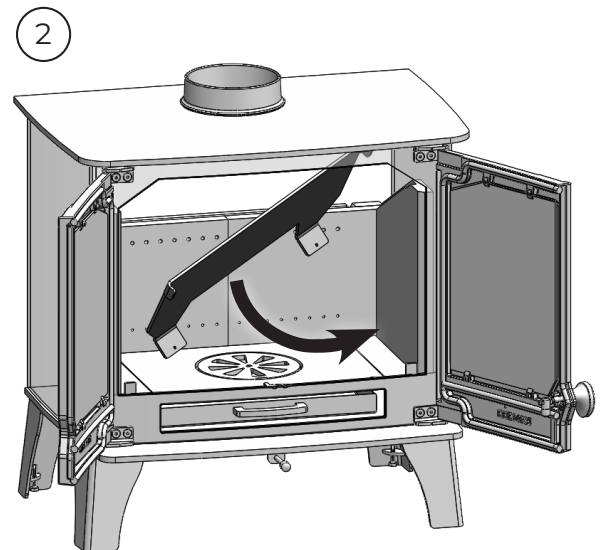
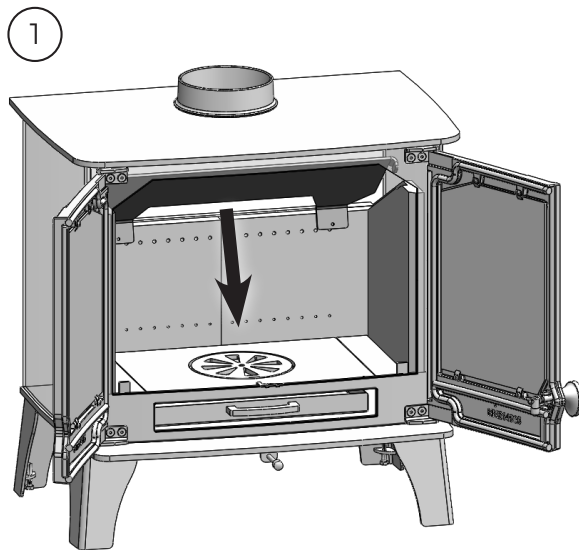


12

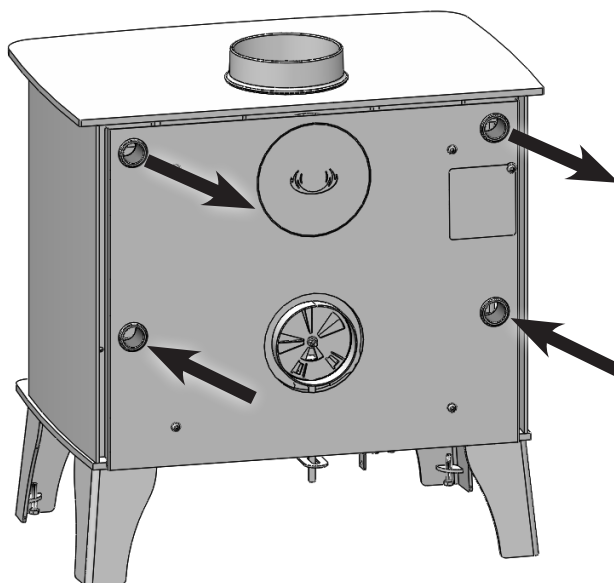




5.3 Baffle



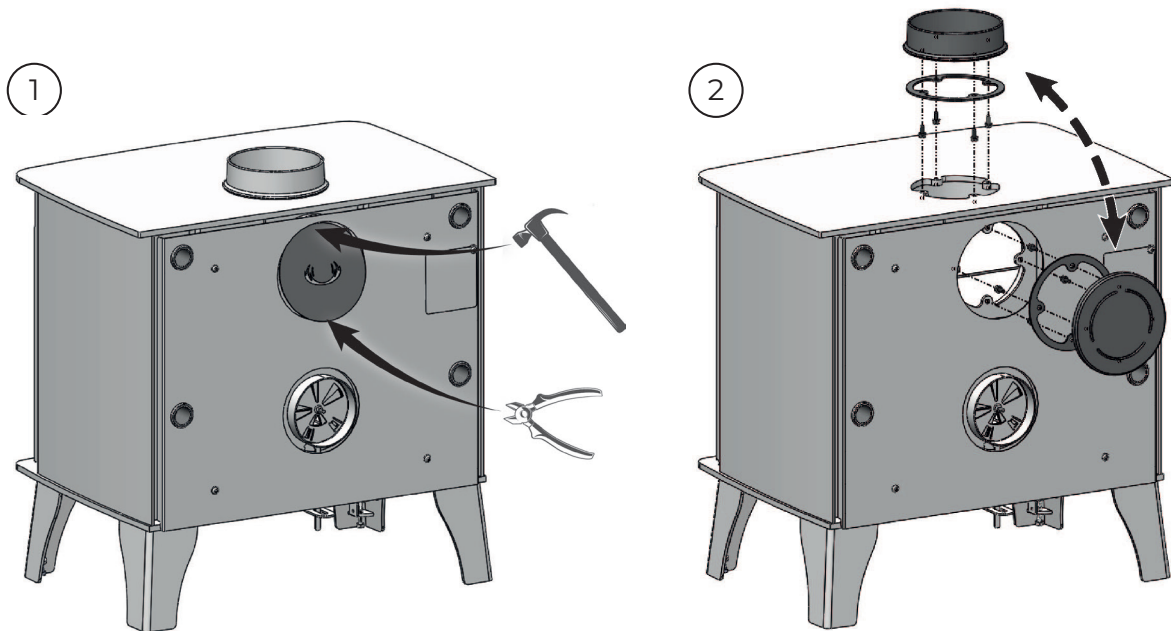
5.4 Water circuit connections



- Water connection thread size 1" BSP.
- Connect the water inlet to the bottom.
- Connect the water outlet to the top.

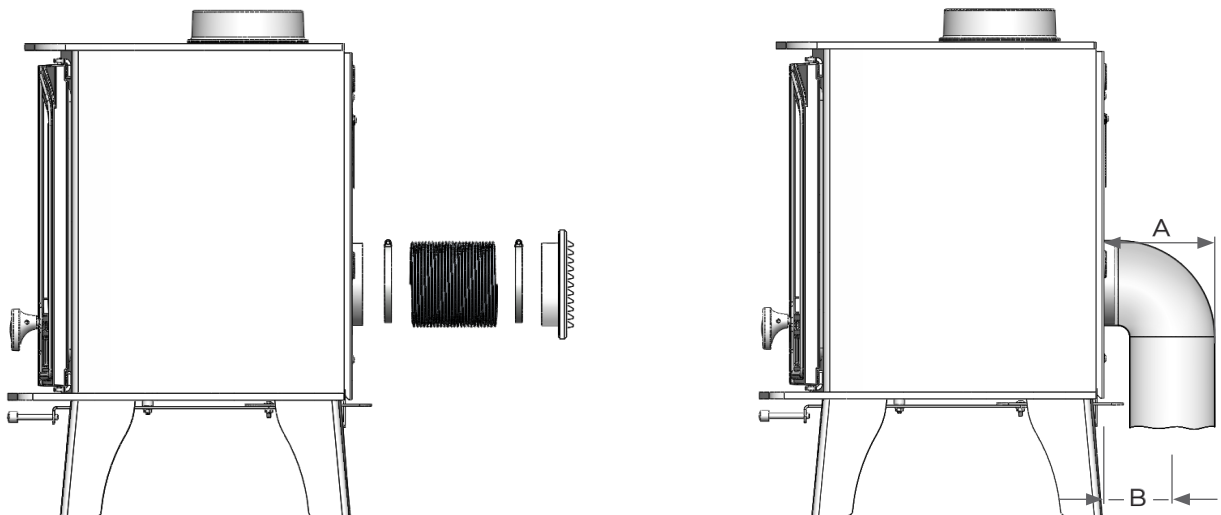


5.5 Rear flue connection



5.6 Direct air (optional)

For optimal efficiency it is recommended that the optional direct air attachment is fitted. The direct air connection has an outer diameter of 125mm.

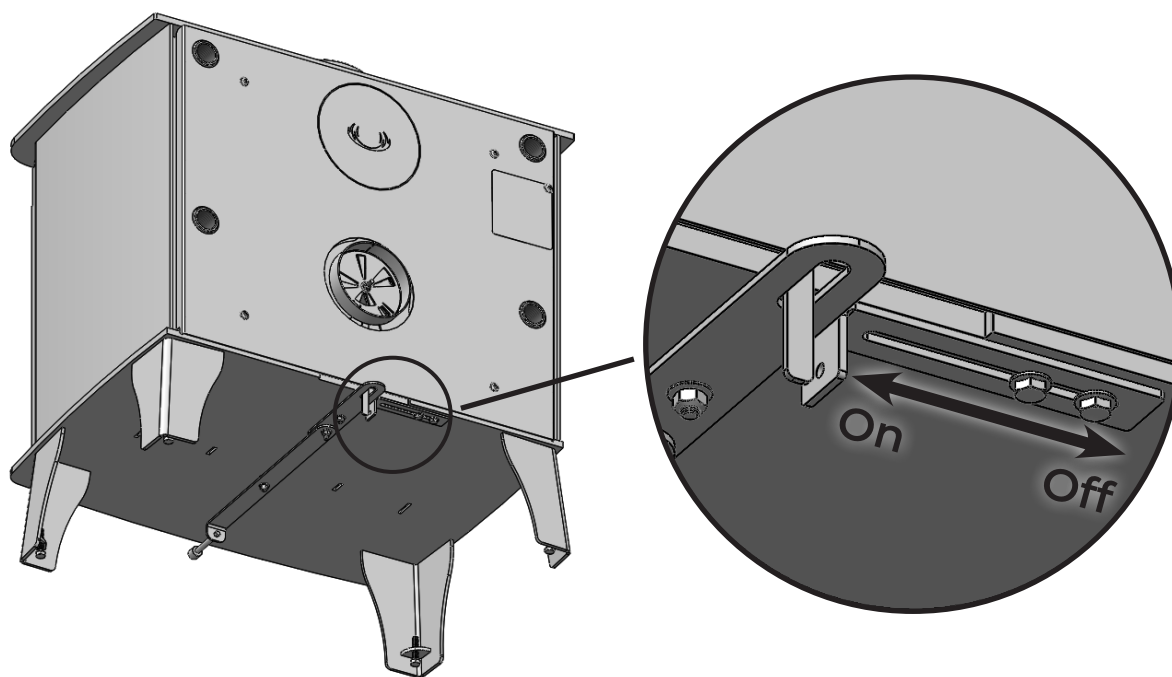


	A	B
Measurement	164 mm	101.5 mm

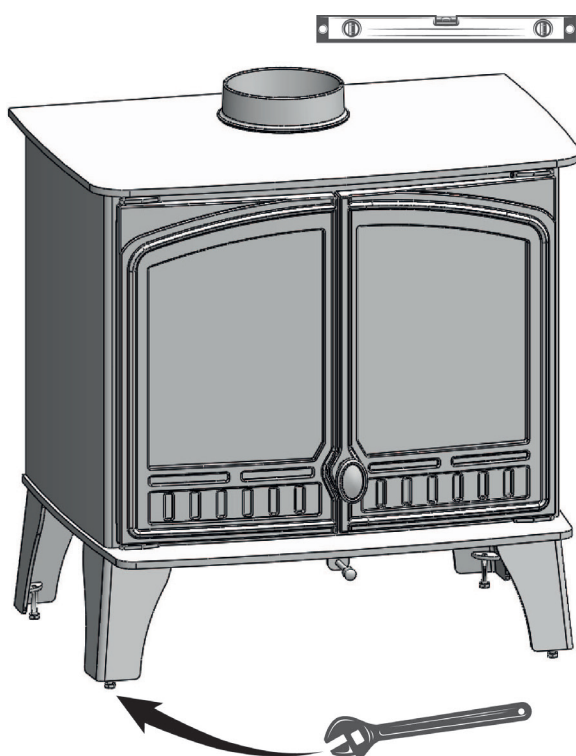


5.7 DEFRA setting

This appliance is installed with a DEFRA compliant smoke control setting. If the appliance is installed in a smoke controlled area the setting must be in the on position. If the appliance is installed outside a smoke control area the setting can be in the off position to give more control over the lower burn rates.



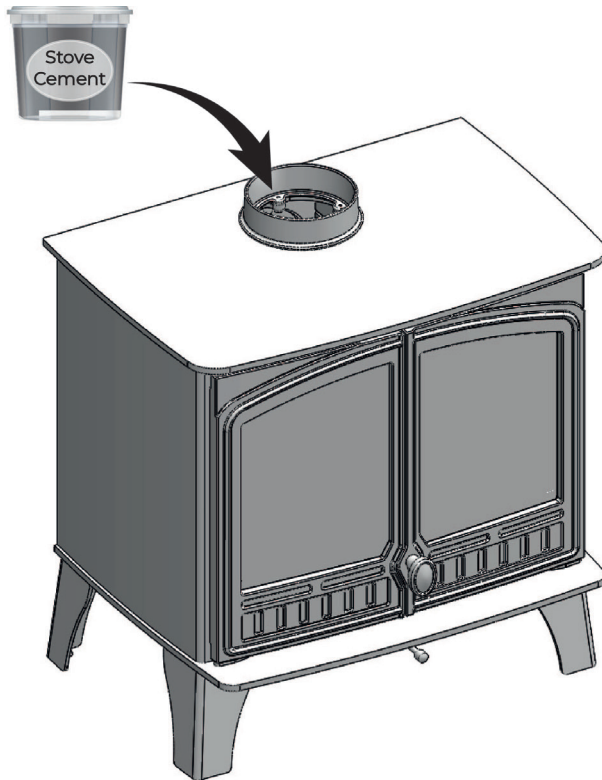
5.8 Adjusting the height of the appliance



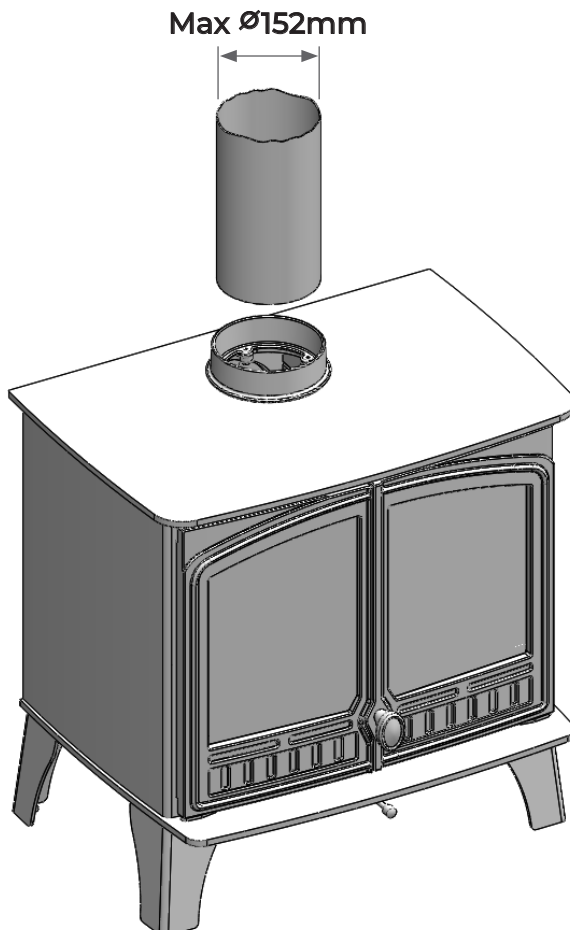
- Position the stove on the hearth.
- Adjust the four levelling screws until the stove top plate is level.



5.9 Flue connection



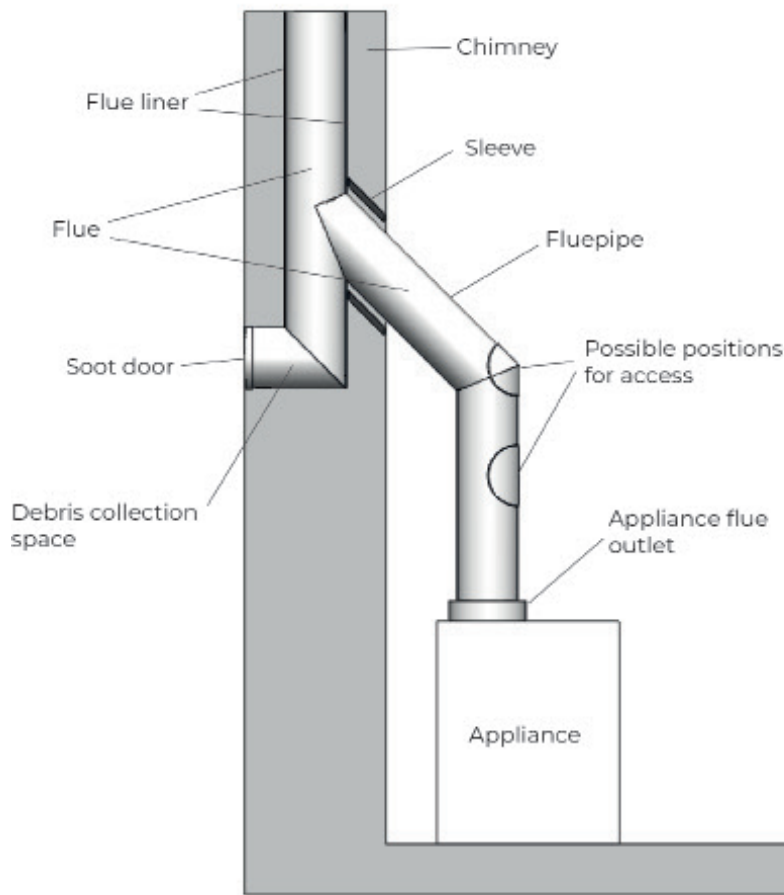
- Before applying the stove cement ensure gloves are worn.
- Apply the stove cement inside the flue collar.
- Ensure it is evenly distributed.



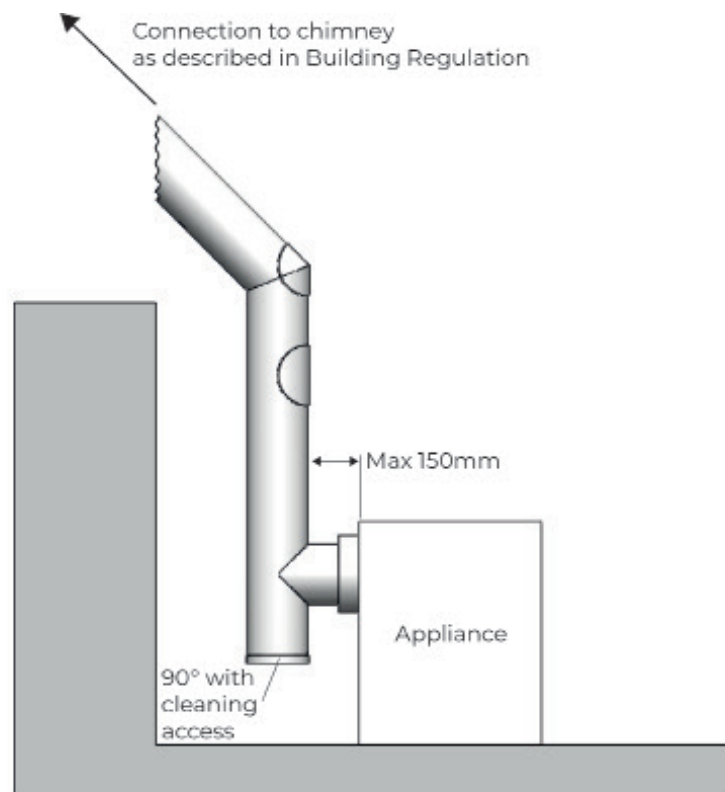
- Press the flue firmly into the flue collar.
- Continue with the rest of the flue installation according to the local standards and regulations.



Overview of a typical top flue installation



Overview of a typical rear flue installation





5.10 Commissioning

- Once the stove has been installed and the flue connected replace all the internal components.
- Check the seal between the door, flue and joints are sound.
- Check the air controls are working correctly and smooth to operate.
- Conduct a draught test.
- Check the CO monitor is working correctly.
- Once the draught test and appliance is deemed safe for use the stove can be lit for the first time.
- Light the appliance as described in the user instructions. Ensure the temperature is increased slowly to allow the fixing cement and paint to cure.
- Check that no combustion products are entering the room.
- If everything is operating correctly explain to the user how to operate the appliance, the safety measures they should take and how to maintain the appliance.
- Ensure that the instructions are given to the user.

6 Servicing

6.1 Servicing checklist

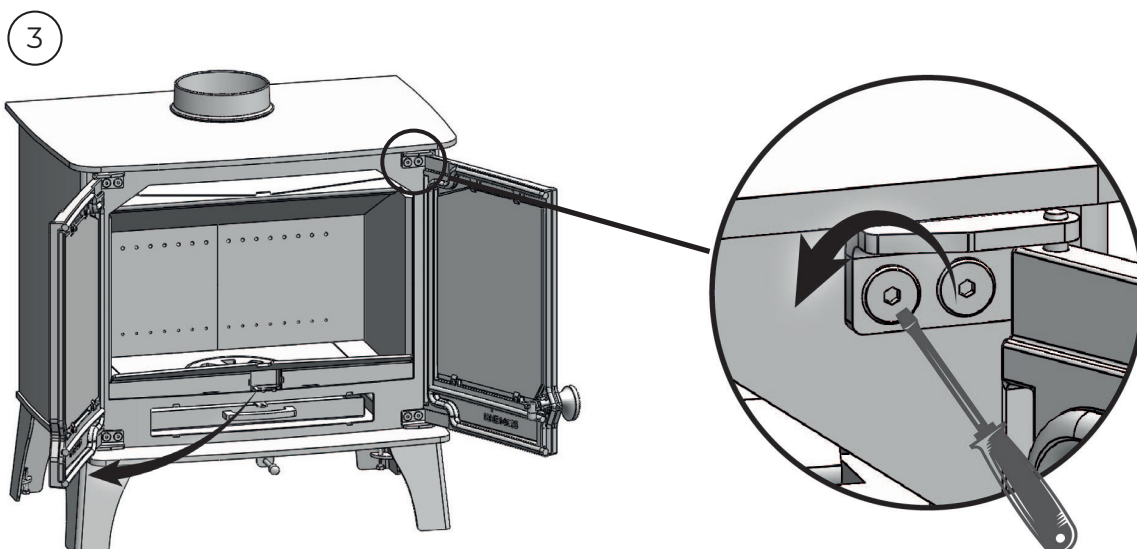
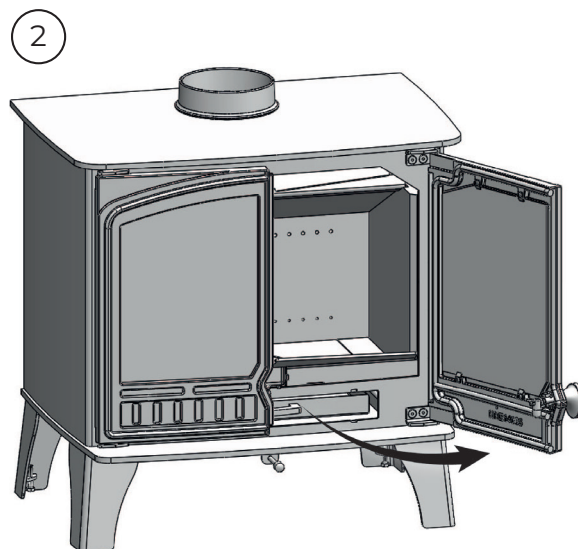
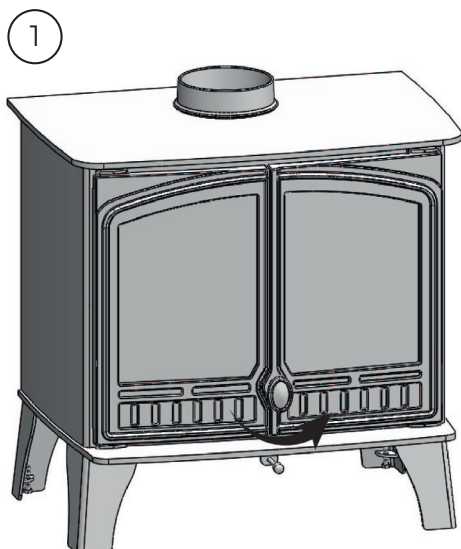
Before commencing any work ensure the appliance and area is safe and accessible to conduct the service.

- Ensure the appliance is cool.
- Remove any ash left in the appliance. Ensure the ash has had time to cool to room temperature.
- Remove all internal components and check for damage.
- Check the flue and if necessary sweep.
- Vacuum the inside of the stove and clean any soot deposits that have formed on the boiler tank using a dry cloth.
- Check the appliance for any damage.
- Check the condition of the paint work. If required touch up paint is available.
- Fit new door rope.
- Clean the glass.
- Replace internal components.
- Check the appliance is operating correctly and safely. Following commissioning instructions

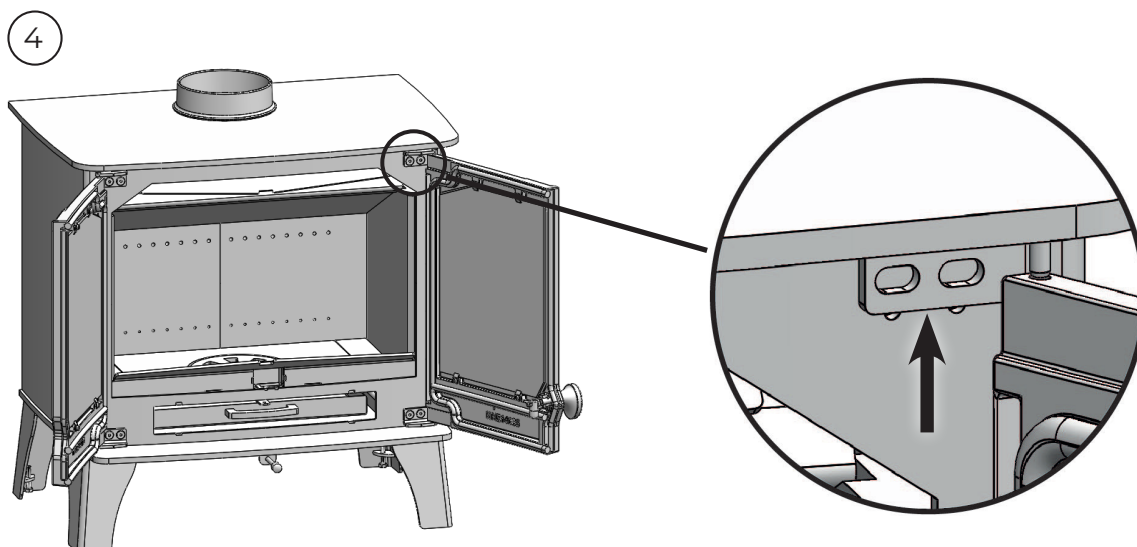
Replacement parts can be purchased online at www.hunterstoves.co.uk



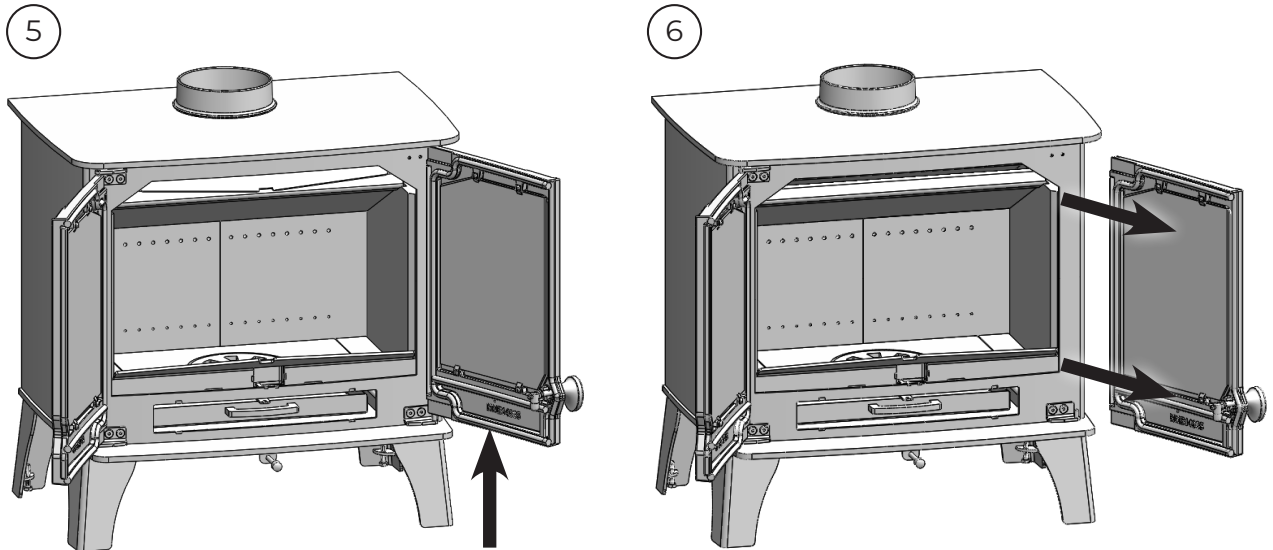
6.2 Removing the door



Loosen both screws as shown above in image 3. Ensure the door is supported at all times.

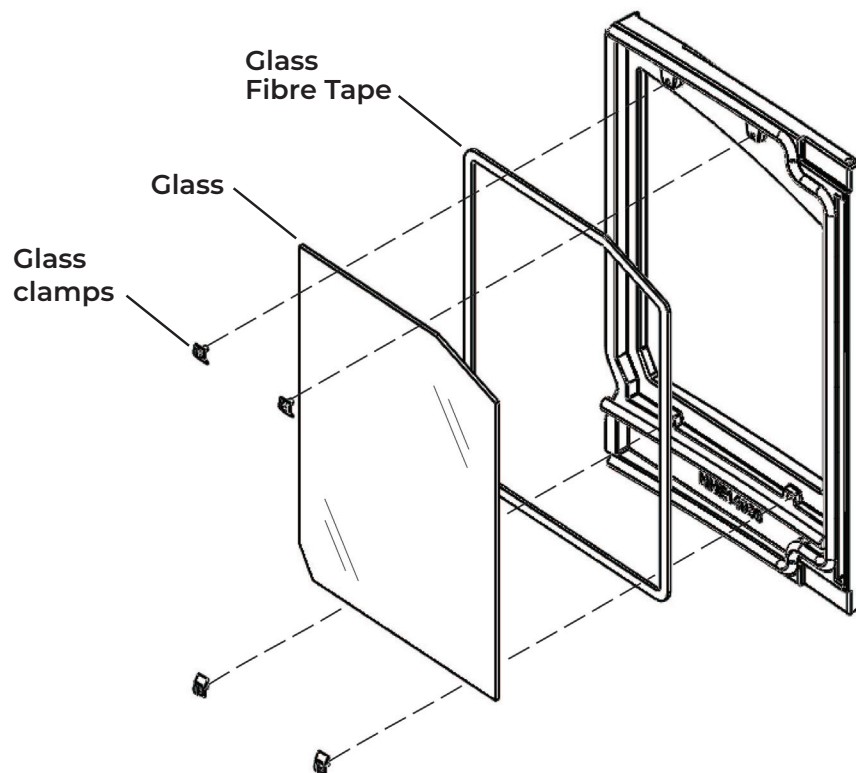


This will allow the hinge to be moved up and removed as shown in image 4 above.



Once the top hinge is removed lift the door so that it clears the bottom hinge pin as shown in image 5. Then remove the door as shown in image 6. Repeat this process for the opposite door.

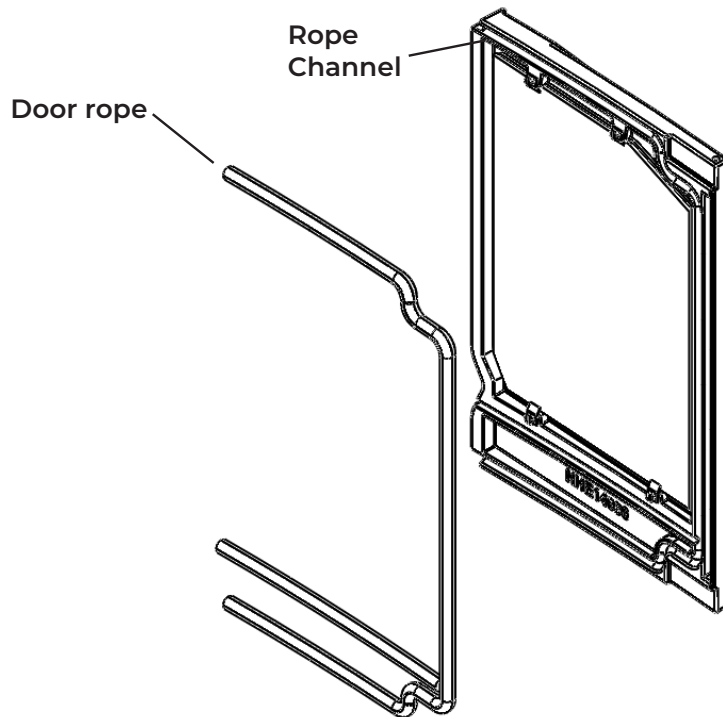
6.3 Fitting new glass



Ensure the door is on a soft flat surface before removing the glass. Unscrew the four glass clamps. Remove the old glass and glass fibre tape. Fit the new glass and glass fibre tape and glass clamps. The glass clamps should only be finger tight to allow for the expansion and contraction of the glass.

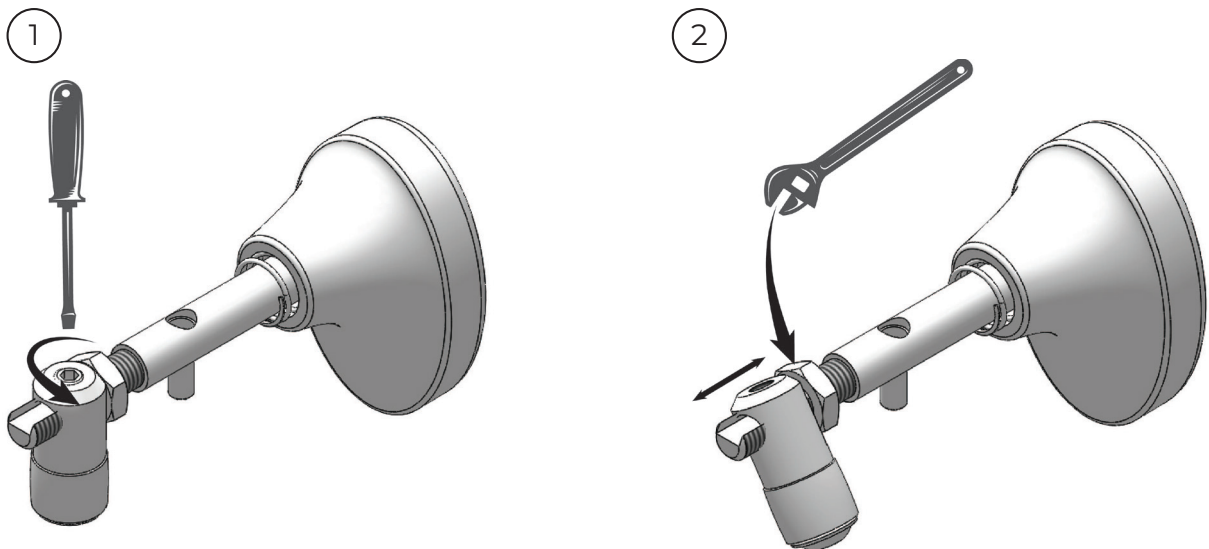


6.4 Fitting new door rope



Ensure the door is on a soft flat surface before removing the door rope. Remove the door rope. Scrape away any old adhesive. Use a brush or dry cloth to remove any debris in the rope channel. Spread the rope glue evenly in the channel. Press the new rope into the rope channel and allow sufficient time to cure.

6.5 Adjusting the door catch



To adjust the handle remove the grub screw as shown in figure 1 above. Then loosen the nut shown in figure 2. This enables the door catch to be turned clockwise or anti-clockwise to move it forwards or backwards depending on the adjustment required. Once the desired setting is achieved re-tighten the nut and replace the grub screw.



6.6 Service records

1st SERVICE Date of service..... Date of next service..... HETAS Number..... Signature.....	2nd SERVICE Date of service..... Date of next service..... HETAS Number..... Signature.....
3rd SERVICE Date of service..... Date of next service..... HETAS Number..... Signature.....	4th SERVICE Date of service..... Date of next service..... HETAS Number..... Signature.....
5th SERVICE Date of service..... Date of next service..... HETAS Number..... Signature.....	6th SERVICE Date of service..... Date of next service..... HETAS Number..... Signature.....
7th SERVICE Date of service..... Date of next service..... HETAS Number..... Signature.....	8th SERVICE Date of service..... Date of next service..... HETAS Number..... Signature.....
9th SERVICE Date of service..... Date of next service..... HETAS Number..... Signature.....	10th SERVICE Date of service..... Date of next service..... HETAS Number..... Signature.....



hunterstoves
GROUP

Hunter Stoves, 8 Emperor Way, Exeter,
Devon, EX1 3QS
www.hunterstoves.co.uk