



NØRRESKOVEN

Mk 2

M U L T I F U E L

S T O V E

Installation and Operating Instructions

An accredited competent person must carry out the installation of this appliance; alternatively, your local Building Control Officer can approve the completed installation, should a non-accredited engineer undertake the installation. It is an offence, under UK law, not to comply with this advice. Please hand these instructions to the stove user when the installation is complete. Leave the system ready for operation and instruct the user in the correct use of the appliance and operation of controls



Nørreskoven Mk 2 Technical Specification

Stove Mass 100 kg

BS/EN 13240

Total Efficiency	73.5 %
Nominal Heat Output	4.4 kW
Mean CO Emission (at 13% O ₂)	0.17 %
Mean Flue Gas Temperature	311 °C
Flue Gas Mass Flow	4.6 g/s

This appliance is not suitable for use in a shared flue

This appliance is suitable for intermittent burning



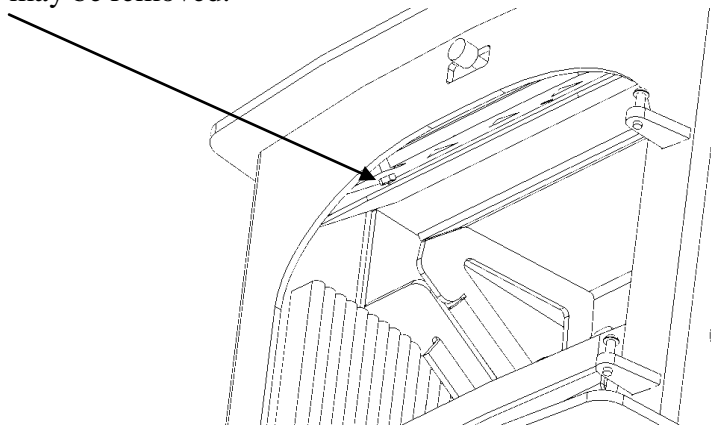
Important! – Read This First

This stove has been designed and assembled so that it may be used to burn wood logs in a Smoke Control Area.

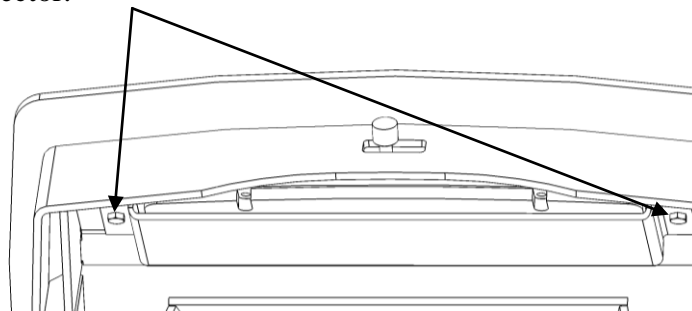
Find out if you are in a Smoke Control Area by contacting your Local Authority or at the following web address:

<http://smokecontrol.defra.gov.uk/locations.php>

If the stove is being installed in a location which is not in a Smoke Control Area, the screw shown in the diagram below may be removed.



Remove the two screws holding in the Top Air Deflector and then remove the Smoke Control screw. Replace the Top Air Deflector.



If the stove is installed in a Smoke Control Area, this screw must not be removed. Doing so may leave the householder liable for a fine of up to £1000.

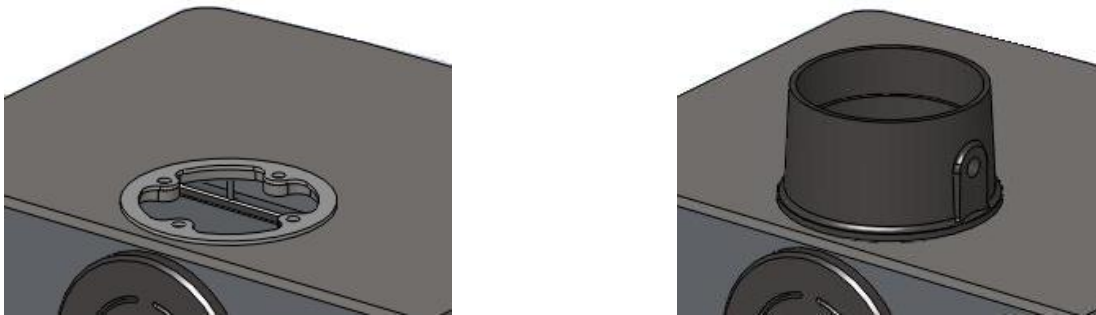


Assembly Instructions

PLEASE READ THESE INSTRUCTIONS CAREFULLY

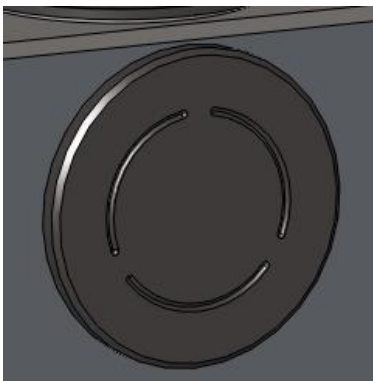
It is important that your stove is correctly installed, as Cleanburn Stoves cannot accept responsibility for any fault arising through incorrect use or installation.

Flue Collar



Wind the eight M6 studs supplied into the fixing holes in the flue collar and blanking plate until finger tight. Place the gasket in position on the top plate of the stove and lower the flue collar or blanking plate (as required) on to the stove top, taking care to line up the studs with the fixing holes. Secure in place using the M6 nuts and washers. Fit the two M8 coach bolts in the flue collar to blank off the optional damper handle holes.

Blanking Plate

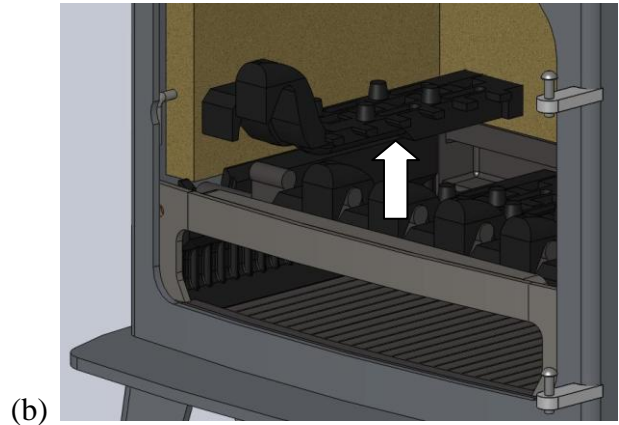


Fit the Flue Gasket and Blanking Plate on the remaining free outlet and secure it, using the two M6 studs.

Removing Internal Parts

This set of instructions explains the removal sequence that you will need to employ when servicing your Cleanburn stove.

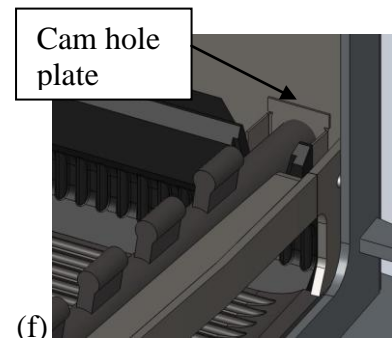
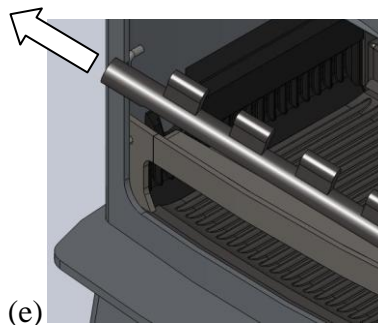
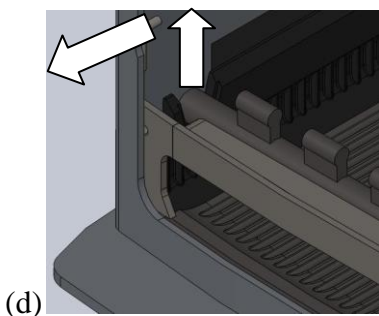
1. Open the stove door(s) and remove the ash pan.
2. Remove the baffle by pulling it forwards and sliding it to the left until the right side of it clears the baffle support and then lowering it into the firebox and removing it (a).
3. Remove the grate bars by lifting them out in pairs (b).



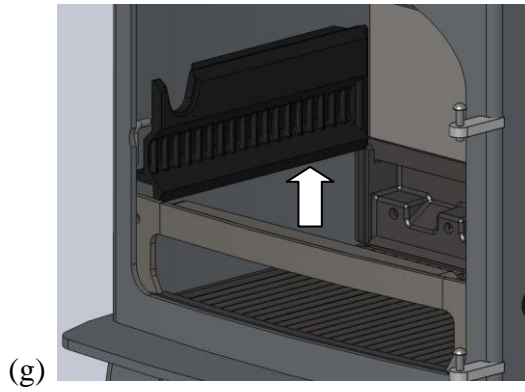
4. Remove the side bricks by lifting them up and swinging the bottom end towards the centre of the stove (c).
5. Remove the rear brick (d).



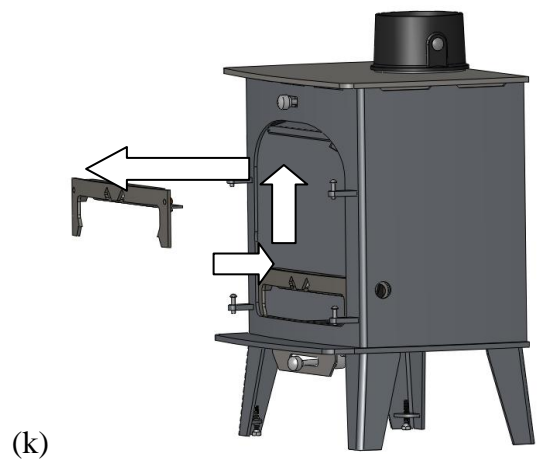
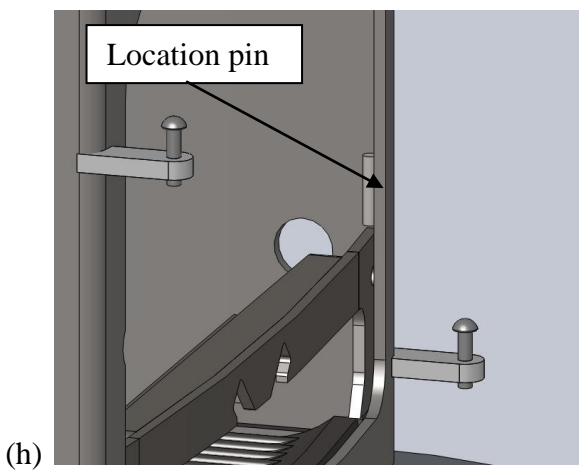
1. Remove the cam bar by lifting the left-hand end of it upwards until it clears the side casting, pulling the left-hand end towards the front of the stove until it is outside the stove (d) and then sliding it all the way out (e), taking care not to lose the cam hole plate.



2. Remove the side castings by lifting them upwards and out (g).

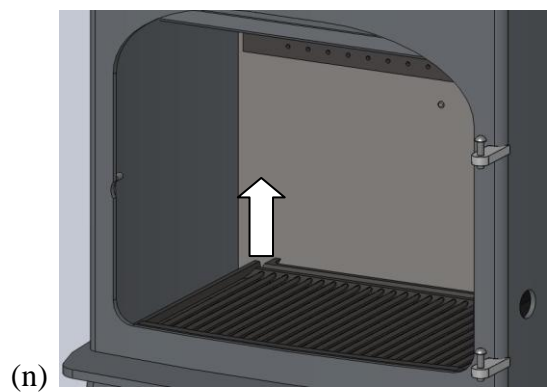
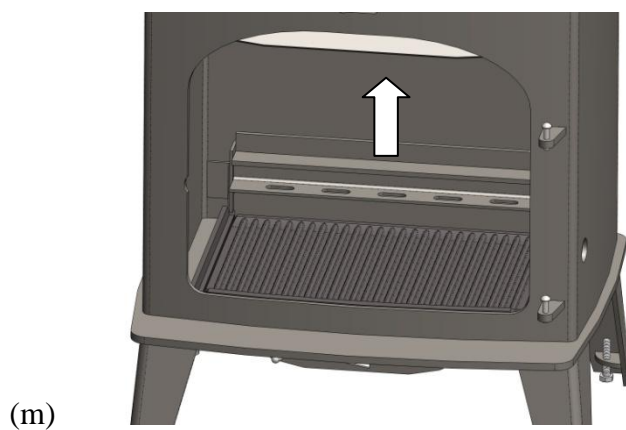


3. Remove the front plate by lifting it out. On double-door stoves it will be necessary to push the front plate towards the back of the stove to free it from the location pins (h) before lifting it out (k).



4. Remove the rear grate support (m).

5. Remove the base casting (n).



Installation Instructions

READ THESE INSTRUCTIONS CAREFULLY BEFORE INSTALLATION

These instructions cover the basic principles to ensure satisfactory installation of the stove, although detail may need slight modification to suit particular local site conditions. In all cases the installation must comply with current Building Regulations, Local Authority Byelaws and other specifications or regulations as they affect the installation of the stove. It should be noted that the Building Regulations requirements may be met by adopting the relevant recommendations given in British Standards BS 8303 and BS EN 15827-1:2007 as an alternative means to achieve an equivalent level of performance to that obtained following the guidance given in Approved Document J.

Competent Persons Scheme

Members of the following schemes may self-certify the installation of this stove. If the installer is not a member of one of these schemes, your local building control department must approve the installation.

Scheme	Web address	Telephone
APHC (Association of Plumbing and Heating Contractors (Certification) Limited)	www.aphc.co.uk	02476 470 626
Building Engineering Services Competence Accreditation (BESCA Limited)	www.hvca.org.uk / www.besca.org.uk	0800 652 5533
HETAS Ltd (Heating Equipment Testing and Approval Scheme)	www.hetas.co.uk	01462 634721
NAPIT Registration Ltd	www.napit.org.uk	0870 444 1392
NICEIC Group Ltd	www.niceic.org.uk	0800 013 0900

Health and Safety Precautions

Special care must be taken when installing the stove such that the requirements of the Health and Safety at Work Act are met.

Handling

Adequate facilities must be available for loading, unloading and site handling.

Fire Cement

Some types of fire cement are caustic and should not be allowed to come into contact with the skin. In case of contact, wash immediately with plenty of water.

Asbestos

This stove contains no asbestos. If there is a possibility of disturbing any asbestos in the course of installation then please seek specialist guidance and use appropriate protective equipment.

Metal Parts

When installing or servicing this stove, care should be taken to avoid the possibility of personal injury.

Important Warning

This stove must **not** be installed into a chimney that serves any other heating appliance. There must not be an extractor fan fitted in the same room as the stove as this can cause the stove to emit fumes into the room.

Installation

Chimney

The chimney height and the position of the chimney terminal should conform to Building Regulations.

Check that the chimney is in good condition, dry, free from cracks and obstructions. The diameter of the flue should not be less than 127mm and not more than 230mm. If any of these requirements are not met, the chimney should be lined by a suitable method.

The chimney must be swept before connection to the stove.

Where the chimney is believed to have previously served an open fire installation, it is possible that the higher flue gas temperature from the stove may loosen deposits that were previously firmly adhered, with the consequent risk of flue blockage. It is therefore recommended that the chimney be swept a second time within a month of regular use after installation.

If you have any doubts about the suitability of your chimney, consult your local dealer/stockist.

If there is no existing chimney then either a prefabricated block chimney in accordance with Building Regulations Approved Document J, or a twin-walled insulated stainless steel flue to BS 4543 can be used. These chimneys must be fitted in accordance with the manufacturer's instructions and Building Regulations.

Flue Draught

A flue draught of minimum 1.2mm to a maximum 2.5mm water gauge is required for satisfactory appliance performance. The flue draught should be checked under fire at high output. If it exceeds the recommended maximum, a draught stabiliser must be fitted so that the rate of burning can be controlled and to prevent over firing. If the reading is less than the recommended minimum then the performance of the appliance will be compromised.

Connection to the Chimney

An existing fireplace opening can be bricked up or sealed with a register plate. A short length of flue pipe of a minimum 127mm internal diameter may then be used to connect the stove to the chimney. This flue pipe should be of 316 grade stainless steel or vitreous enamelled, nominal thickness 1.2mm. Ensure that the pipe end is no closer than 76mm to the side or rear chimney walls.

Ideally, the old fireplace should be filled in so that there is a smooth streamlined entry into the flue way.

The length of any horizontal run of flue pipe must not exceed 127mm.

It is essential that all connections between the stove and chimney-flue are sealed and made airtight.

Both the chimney and flue pipe must be accessible for cleaning and if ANY parts of the chimney cannot be reached through the stove (with baffle brick removed), a soot door must be fitted in a suitable position to enable this to be done.

Air Supply

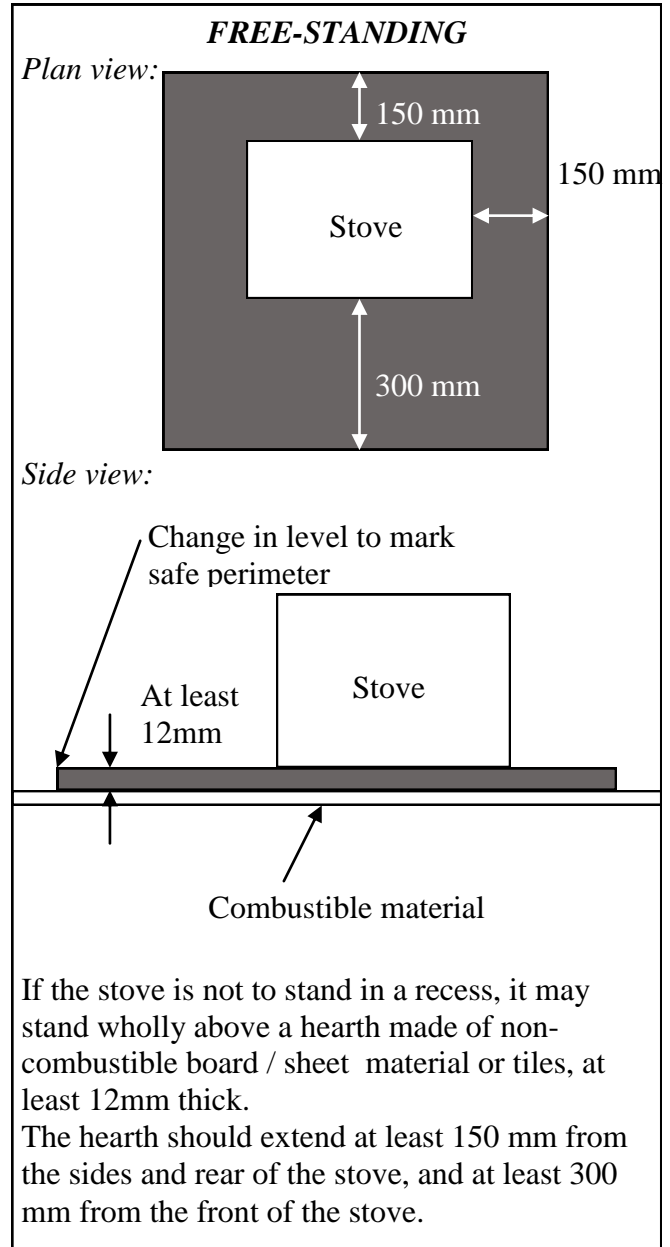
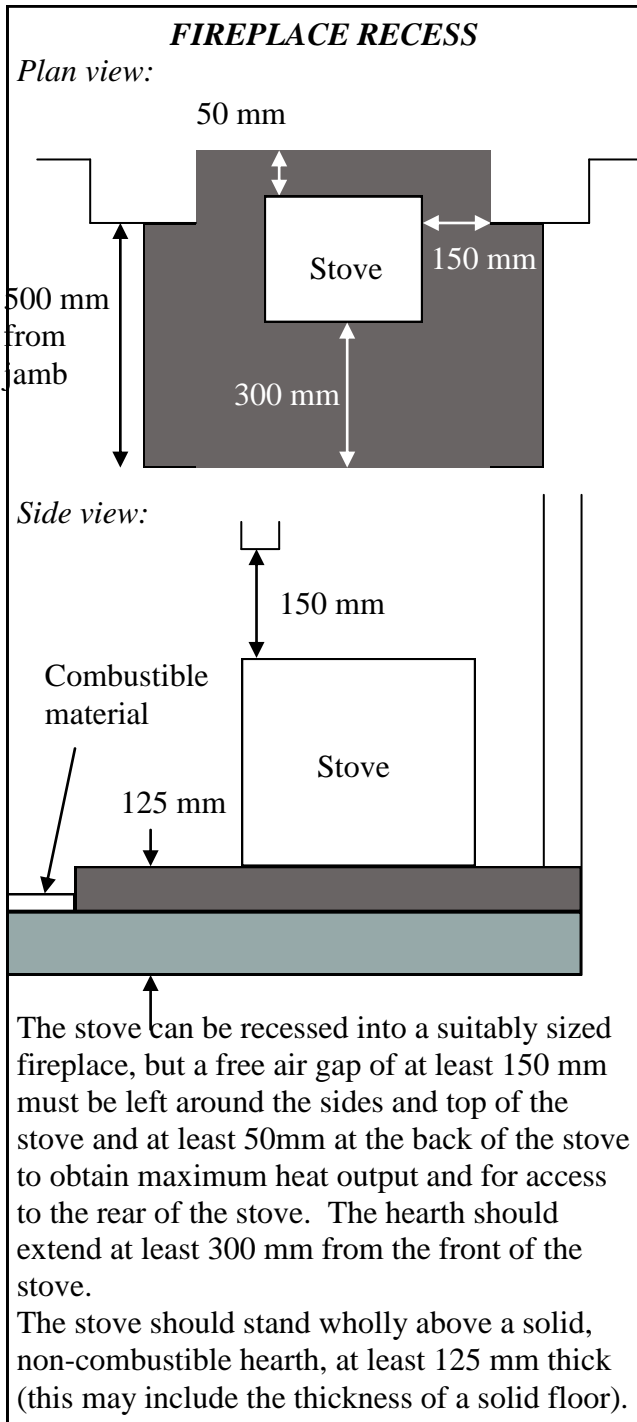
The room or space containing this appliance needs no additional ventilation, unless a draught stabiliser is fitted, in which case a permanent air opening of at least 1470mm² should be provided. Due consideration should be given to air requirements for any other appliances in the same room or space. Any air opening must be kept clear from blockage or obstruction.

Material Clearances

Your stove must be installed on a floor with adequate load-bearing capacity. If the existing

construction does not meet this pre-requisite, suitable measures (e.g. load distributing plate) should be taken to achieve it.

Care should be taken to level the stove using the adjusting screws in the feet.

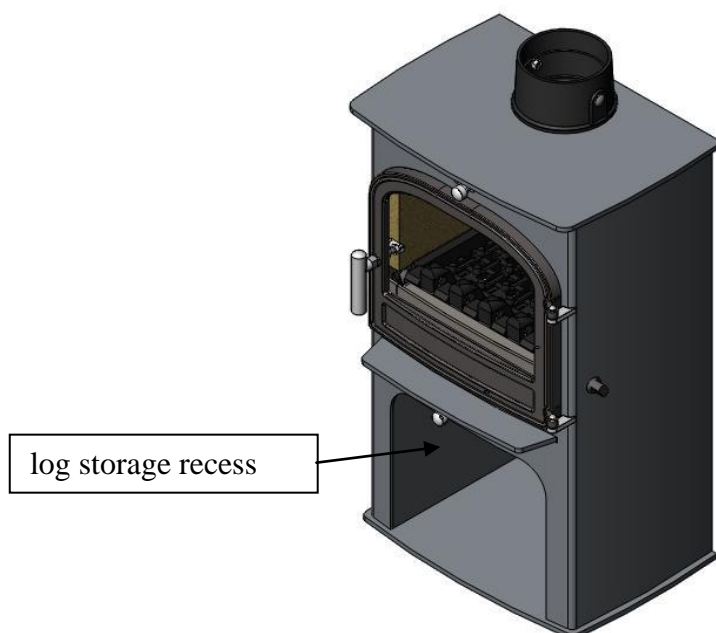


All walls shown in the above diagrams are non-combustible unless otherwise indicated. All non-combustible walls closer than 300mm to the stove should be at least 75mm thick.

MINIMUM DISTANCE TO COMBUSTIBLE MATERIAL	
Behind the stove	450mm
At the side of the stove	400mm
To furniture (in front of the stove)	700mm

Note: combustible material refers to any material that will degrade when subjected to heat e.g. plaster.

Fuel Storage



Fuel may be placed in the log storage recess underneath the European variant. The logs should be stacked in such a way that they do not touch the heat shield at the top of the recess.

Important! - Fuel must not be stored underneath the Traditional or Pedestal variants.

Warning!

The log store recess in European stoves has been designed and tested to satisfy the requirements of BS EN 13240 with both the ashpan and multi-fuel grate in place. Under no circumstances should a Euro stove be used without the ashpan or multi-fuel grate in place. Euro stoves must not be converted to dedicated wood burning appliances (i.e. no ashpan or multi-fuel grate).

Commissioning and Handover

Upon completion of the installation, allow a suitable period of time for any fire cement and mortar to dry out. A small fire may then be lit and checked to ensure the smoke and fumes are taken from the stove up the chimney and emitted safely to atmosphere. Do not run the stove at full output for at least 24 hours.

On completion of the installation and commissioning, ensure that the operating instructions and operating tools for the stove are left with the customer. Ensure to advise the customer on the correct use of the appliance with the fuels likely to be used on the stove and warn them to use only the recommended fuels for the stove.

Advise the user on what to do should smoke or fumes be emitted from the stove. The user should be warned to use a fireguard to BS 6539 in the presence of children, aged and/or infirm persons.



Operating Instructions

This appliance is **not** suitable for use in a shared flue
This appliance should **not** be operated with the doors open

Aerosol Sprays

Do not use an aerosol spray on or near the stove when it is alight.

Air Controls

This stove has been designed to burn cleaner and more efficiently than a conventional wood burning stove. If used correctly this stove will burn far more efficiently than normal with the obvious notable feature of CLEAN GLASS.

However, for this product to work properly it must be used correctly.

It is essential that the stove has an adequate air supply for combustion and ventilation.

The primary, secondary and tertiary air inlets must be kept clear from obstruction and blockage.

Air Controls

Secondary Air Control (Open Right)

Warning!

This Appliance will be **hot** when in operation and due care should be taken. The riddling tool may be used to operate the door handle. The supplied gloves could be used to operate the primary and secondary air controls.



Primary Air Control (Open Right)

Primary Air

The Slider under the ash-lip of the stove controls the Primary air. This provides a conventional air draught to the bed of the fire. The control is open when the Slider is pushed towards the right of the Stove.

Secondary Air

Secondary air is controlled via the slider above the doors; it is this “Airwash” that keeps a clean and uninterrupted view of the fire.

Tertiary Air

Tertiary air aids in good secondary combustion of the fuel and reducing emissions into the chimney and environment.

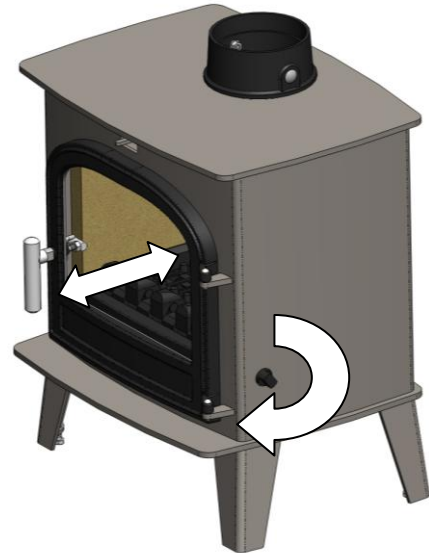
Riddling Grate

Your Cleanburn Stove is fitted with a locomotive type grate. So that de-ashing can be carried out cleanly and easily, it is riddled from the outside of the stove with the doors closed. To obtain the best response from the air controls, the grate should be in the open position during normal burning.

Lighting the Stove

We recommend that you have two or three small fires before you operate your stove to its maximum heat output. This is to allow the paint to cure steadily and to give a long service life of the paint finish. During this curing in process you may notice an unpleasant smell. It is non-toxic, but for your comfort we would suggest that during this period you leave all doors and windows open.

First, load the fire with starting fuel, i.e. paper, dry sticks and/or firelighters in the mode chosen, either wood or solid mineral fuel. Light the fire at the base leaving all air controls open. It may be necessary to leave the door ajar for up to 5 minutes. After a further 5 minutes, the primary air can be closed. Allow the fuel to reach a steady glow and build the fire up gradually. Once you have a good fire established across the grate bed, further fuel can be added as required.



Air Controls

Wood burns most efficiently with the primary control in the closed position and the secondary control approximately 50% open. Moving the secondary control will control the burn rate of the stove.

When refuelling the stove, the primary air should be opened for 2-3 minutes to ensure clean ignition of the new fuel.

Loading the Stove

Wood burns best on a bed of ash and it is therefore only necessary to remove surplus ash from on top of the grate occasionally. Do not let the ash level under the grate reach above the primary air inlet holes. If allowed to build-up, ash will stifle the airflow through the grate.

Reduced Combustion

In order to reduce the rate of combustion, close the primary air lever and then the secondary air lever by moving the handles all the way to the left. If the controls are left in this position, the fire will be starved of air and will burn more slowly. If you want to revive the fire it is recommended that the primary air control is open first, then open the secondary air slider.

Warning!- The stove will remain **hot** for a considerable time after the fire has been extinguished.

Recommended Fuels

Cleanburn Stoves recommend wood logs be burnt in this appliance. Burn only dry, well-seasoned wood, which should have been cut, split and stacked for at least 12 months, with free air movement around the sides of the stack to enable it to dry out. Burning wet or unseasoned wood will create tar deposits in the stove and chimney and will not produce a satisfactory heat output.

Only authorised fuels may be used in UK smoke control areas. A list of authorised fuels can be found at <http://uksmokecontrolareas.co.uk/fuels.php>

Warning!- Petroleum coke fuels or household waste must not be burnt on this appliance.

Safety notes for your guidance

FIRES CAN BE DANGEROUS – Always use a fireguard in the presence of children, the elderly or the infirm. The fireguard should be manufactured in accordance with BS 6539 – Fireguards for use with solid fuel appliances.

DO NOT OVERFIRE – it is possible to fire the stove beyond its design capacity, this could damage the stove, so watch for signs of overfiring – if any part of the stove starts to glow red, the fire is in an overfire situation and the controls should be adjusted accordingly. Never leave the stove unattended for long periods without first adjusting the controls to a safe setting – careful air supply control should be exercised at all times.

WARNING – FUME EMISSION

Properly installed and operated, this appliance will not emit fumes. Occasional fumes from de-ashing and refuelling may occur. Persistent fume emission must not be tolerated.

If fume emission does persist, then the following immediate action should be taken: -

1. Open doors and windows to ventilate room.
2. Let the fire out, or eject and safely dispose of fuel from the appliance.
3. Check for flue chimney blockage and clean if required.
4. Do not attempt to re-light the fire until the cause has been identified and corrected.

If necessary, seek professional advice.

Adverse weather – In a small number of installations, occasional local weather conditions (e.g. wind from a particular direction) may cause downdraught in the flue and cause the stove to emit fumes. In these circumstances, the stove should not be used. A professional flue installer will be able to advise on solutions to this problem (e.g. anti-downdraught cowl).

Important! – Do not fit an extractor fan in the same room as this appliance.

IN THE EVENT OF A CHIMNEY FIRE

- Raise the alarm to let others in the house know.
- Call the Fire Brigade.
- Reduce the appliance-burning rate by closing all air controls.
- Move furniture and rugs away from the fireplace and remove any nearby ornaments.
- Place a fireguard or spark guard in front of the stove.
- Feel the chimneybreast for signs of excessive heat.

If the wall is becoming hot, move the furniture away. Ensure that the Fire Brigade can gain access to your roof space in order to check this area for signs of fire spread.



GENERAL MAINTENANCE

NO unauthorised modification of this appliance should be carried out.

IMPORTANT! - In order to ensure continued compliance with current Building Regulations, Local Authority Byelaws and the Clean Air Act (if applicable), this appliance requires regular maintenance of the following:

Monthly

Baffle, Grate Bars and Fire Box Components

These should be removed and cleaned at least once a month to prevent any build up of soot or ash that could lead to blocked flue ways, blocked air inlets and dangerous fume emission. If the baffle is removed the chimney/flue way can be swept through the appliance.

Glass Panels

Clean the glass panels when cool with a proprietary glass cleaner. Highly abrasive substances should be avoided as these can scratch the glass and make subsequent cleaning more difficult. Wet logs on heated glass, a badly aimed poker or heavy slamming of the doors could crack the glass panels. The glass will not fracture from heat.

Firebricks

In normal use, these can last for many years. It is possible however, to crack them if logs are continually jammed against them or if they are frequently struck with a poker. Check periodically for seriously cracked bricks, which can be replaced with new; available from your dealer.

Rope

Check the rope around the door and glass. If rope is becoming detached, use proprietary rope glue to re-attach it. If the rope is in a poor condition, a replacement rope kit may be ordered from the Cleanburn Stoves spares range.

Annually

Annual maintenance of the following should be carried out by a competent person:

Chimney and Flueways

It is important that the chimney, flue ways and any connecting flue pipe are swept regularly. This means at least once a year for smokeless fuels and at least twice a year for wood and other fuels. The baffle will need to be removed from its supports in order to sweep the chimney (see assembly instructions).

Only wire-centred sweeps' brushes fitted with a guide wheel should be used.

If it is not possible to sweep all parts of the chimney through the appliance, ensure there is adequate access to cleaning doors.

If the stove is fitted in place of an open fire, then the chimney should be swept one month after installation to clear any soot falls which may have occurred due to the difference in combustion between the stove and the open fire.

Periods of Prolonged Non-Use - If the stove is to be left unused for a prolonged period of time then it should be given a thorough clean to remove ash and unburned fuel residues. To enable a good flow of air through the appliance to reduce condensation and subsequent damage, leave the air controls fully open

If the appliance has been unused for a long period of time, such as during the spring and summer months, a competent person should check the chimney for potential obstructions before lighting the stove.

As Necessary

Gaskets

All gasket used on this appliance are produced from a heat resistant material called Manniglas. The glass gasket will have to be replaced when a new piece of glass is fitted as the gaskets become brittle after firing the stove. Over time, you may also find, that the gasket changes colour. This is due to a reduction in the pigment used in the manufacture of the product and no cause for concern.

Stove Body

The stove is finished with a heat resistant paint and this can be cleaned with a soft brush. Do not clean whilst the stove is hot; wait until it has cooled down. The finish can be renovated with proprietary stove paint.

Single Door Catch

The door catch may require adjustment to maintain the door seal. By slackening the locking nut and turning the door handle one turn you will achieve a tighter lock when the door is closed.

Double Door Catch

The door catch may require adjustment to maintain the door seal. By slackening the socket set screw and turning the catch shaft one turn you will achieve a tighter lock when the door is closed.

Troubleshooting

Fire will not burn

Check that:

1. The air inlet is not obstructed in any way.
2. Chimneys and flue ways are clear.
3. A suitable fuel is being used.
4. There is an adequate air supply into the room.
5. An extractor fan is not fitted in the same room as the stove.
6. Flue draught is above minimum level (see installation instructions).

Fire blazing out of control

Check that:

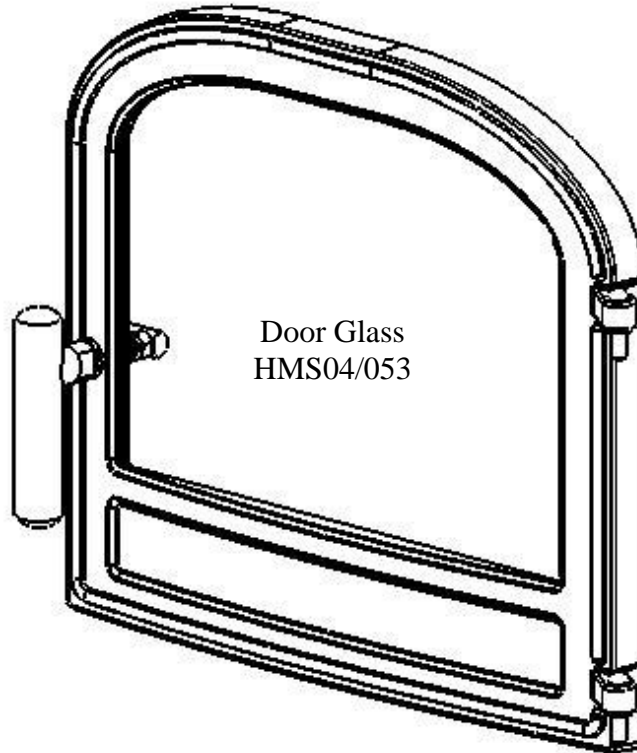
1. The doors are tightly closed.
2. The air controls are all in the closed position.
3. A suitable fuel is being used.
4. The glass retaining clips are not loose.
5. The door rope seals are in good condition
6. Flue draught is below maximum level (see installation instructions).



cleanburn
STOVE SPARES

SINGLE DOOR

Door Handle Assembly
HMSSASSY4030S



Single Door
HMS04/002

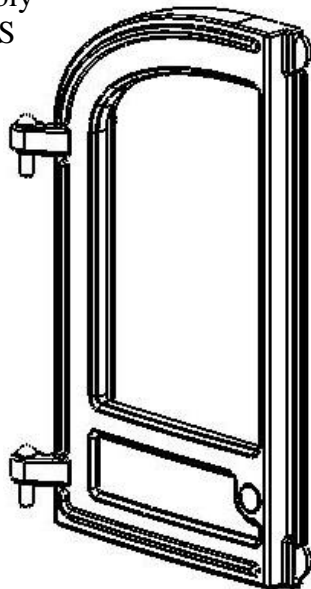
Glass Gasket
HMS04/055

Glass Clip & Screw
HHR08/046
FSJM05008SS

DOUBLE DOORS

Door Handle Assembly
HCE05/ARRT/031S

L.H. Door
HMS04/006

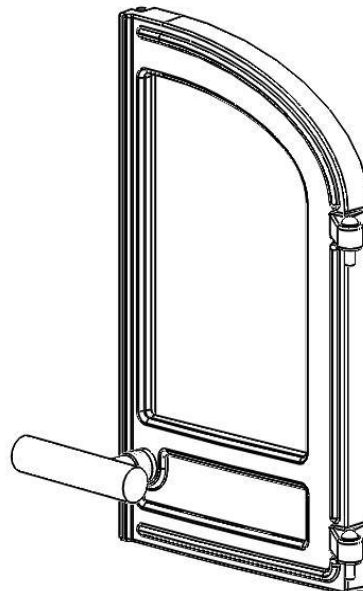


R.H. Door
HMS04/004

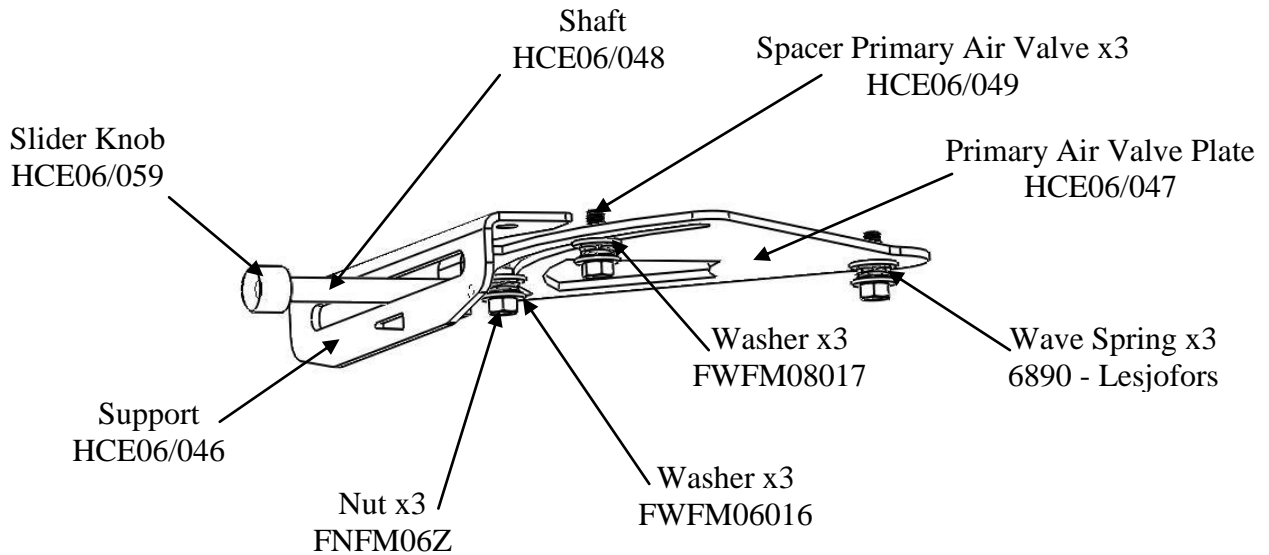
Door Glass
HMS04/054

Glass Gasket
HMS04/056

Glass Clip & Screw
HHR08/046
FSJM05008SS



PRIMARY AIR VALVE



BODY ASSEMBLY - PART SECTION - MULTIFUEL

