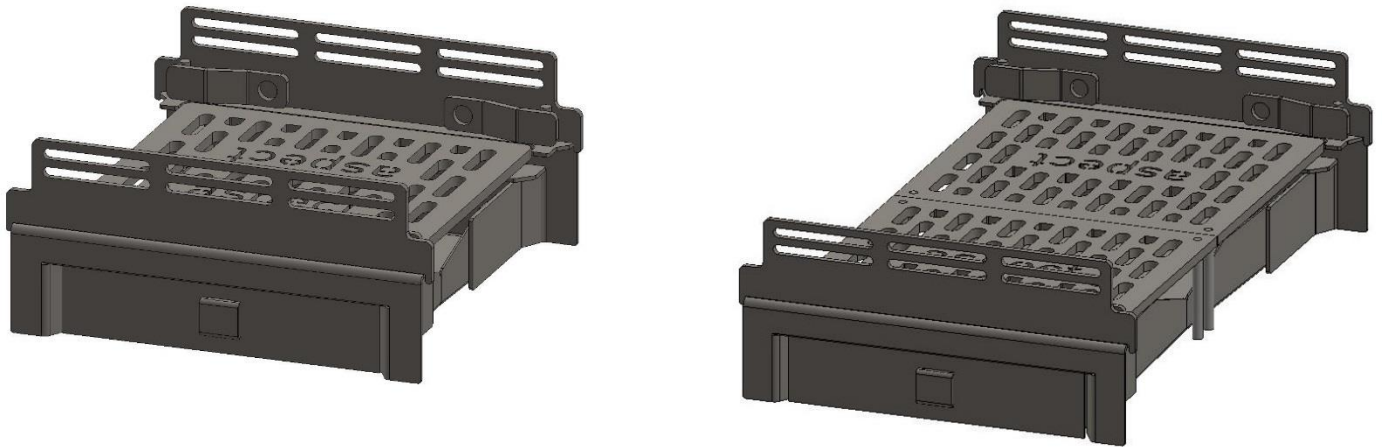




hunterstoves
GROUP



ASPECT 4 DOUBLE SIDED

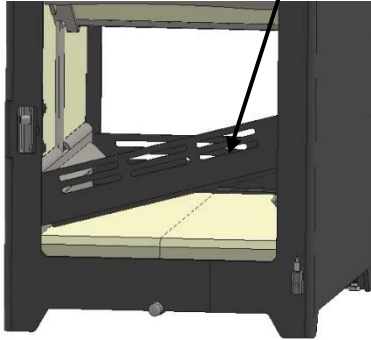
Multifuel Grate Kit

Instructions for installation and use

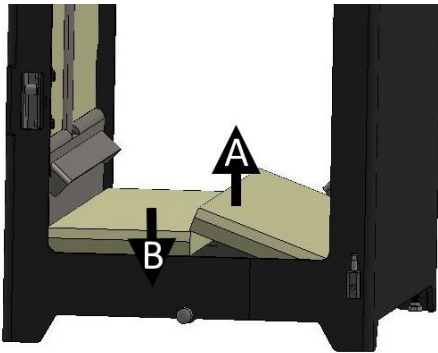
JINSPADSDDMFK REV A 12/02/2018

REMOVING THE WOODBURNING KIT (BOTH)

1. Remove both the log retainers.



2. Remove the bottom base brick by lifting up one brick in the middle (A) and slide out of body of stove (B). Repeat with other side.



FITTING THE MULTIFUEL KIT

DOUBLE SIDED SINGLE DEPTH

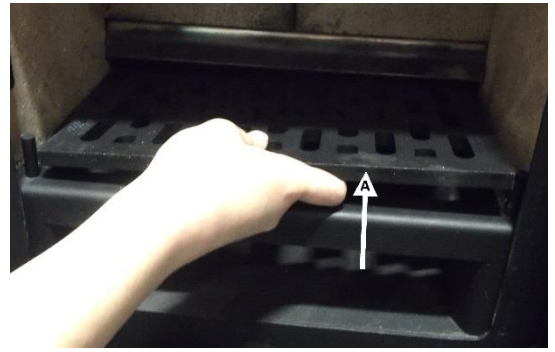
- 1) Insert the MF front grate support plates by dropping into place (one each end).



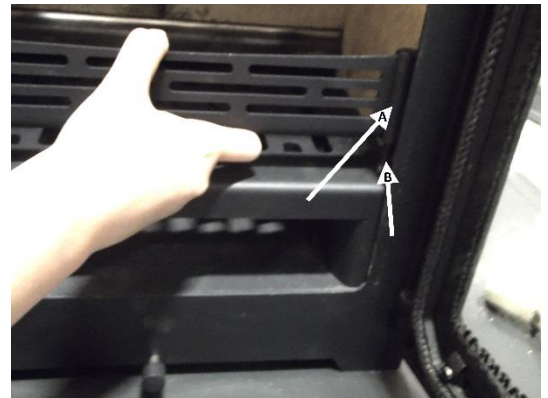
- 2) Slide the ash pan in under the front support (one each end).



- 3) Insert the multi-fuel grate.



- 4) Place the new MF retainers (A) onto the pins (B). (Both sides)



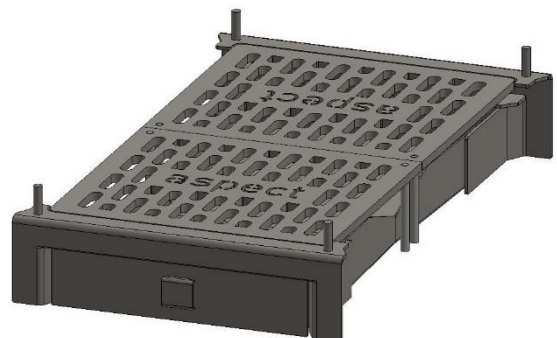
DOUBLE SIDED DOUBLE DEPTH

1 and 2 as Double Single.

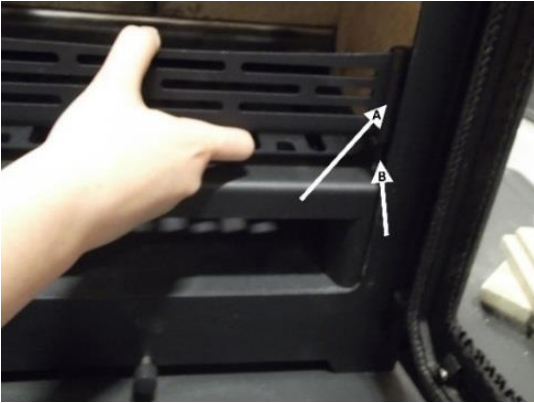
- 3) Screw the MF support legs into the MF grates x 2 (two legs per grate).



- 4) Insert the MF grates one each end with the support legs to the centre of the stove.



- 5) Place the new MF retainers (A) onto the pins (B).
(Both sides)



Solid Mineral Fuel Burning

Lighting the Stove

First, load the fire with starting fuel, i.e. paper, dry sticks and/or firelighters in the mode chosen, either wood or solid mineral fuel.

Light the fire at the base leaving all air controls open. Allow the fuel to reach a steady glow and build the fire up gradually.

Once you have a good fire established across the grate bed, further fuel can be added as required.

Recommended Solid Mineral Fuels

Use only good quality anthracite or manufactured briquette smokeless fuels listed as suitable for use with closed door appliances.

Only authorised fuels may be used in UK smoke control areas.

A list of authorised fuels can be found at <http://uksmokecontrolareas.co.uk/fuels.php>

A list of HETAS approved fuels can be found at http://hetas.co.uk/public/hetas_guide.html

Warning!- Do not burn Bituminous coal, 'Petro-Coke' or other petroleum based fuels or treated wood such as pallets as this will invalidate the product warranty. Household waste must not be burned on this appliance.

Should any difficulties arise over fuel quality or suitability, consult your local approved fuel merchant or:

HETAS Ltd.– Telephone 01242 673257 – www.hetas.co.uk

Solid Fuel Association – Telephone 0800 600 000 www.solidfuel.co.uk

Loading the Stove (Solid Mineral Fuel)

It should **not** be stacked so that the fuel touches the tertiary air bar as this may result in damage to the stove.

With a full load of fuel, the stove will need to be refuelled approximately once every 2 hours.

Air Controls (Solid Mineral Fuel)

The optimum performance for burning solid fuel will be dependent upon the fuel properties and the flue draught. You will need to vary the air control to find your ideal burn rate.

Always de-ash before refuelling and do not let the ash level reach the underside of the grate. Solid mineral fuel produces ash, which if allowed to build-up will stifle the airflow through the air inlets and grate. This will eventually cause the fire to die.

With some solid mineral fuels, a residue of burnt fuel or clinker will accumulate on the grate, allow the fire to go out periodically to remove this.

Important! - We cannot stress firmly enough how important it is to empty the ashpan regularly. Air passing through the firebed cools the grate. Distortion or burning out the grate is nearly always caused by ash being allowed to build up to the underside of the grate.

Extended Burning (Solid Mineral Fuel)

The stove can be banked up for extended burning.

To revive the fire, open the air control until the fire is burning brightly de-ash if necessary and refuel. Set air control as required.

When burning solid fuel, empty the ashpan, open the air control and let the fire burn brightly for a short period.

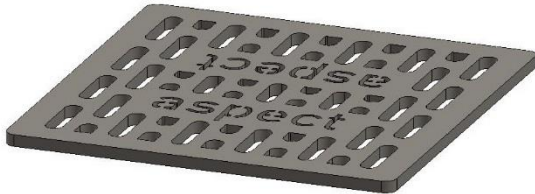
Refuel and close the air control, the exact setting required will depend on the fuel used and the chimney draw so some practice may be necessary.

Spares

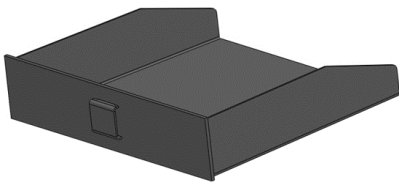
Multifuel Grate Front



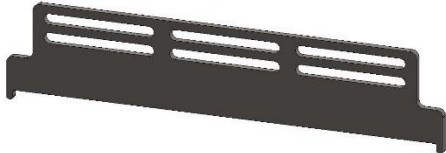
Multifuel Grate



Ash pan



Log Retainer



Codes for Multifuel Kits

Stove	Kit Code	Front	Multifuel Grate	Ash Pan	Log Retainer	Grate Support Bar
4 Double Single	JPA04DS	ECIC04DS075	ECIC04DS078	ECIC04DS074	ECIC04DS085	NA
4 Double Double	JPA04DD		ECIR04DD078	ECIR04074		ECIR04DD079