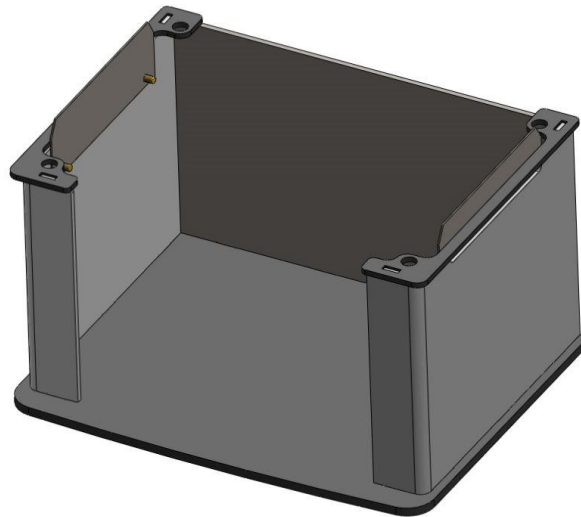




hunterstoves  
GROUP



# ASPECT RANGE

Log Store / Plinth

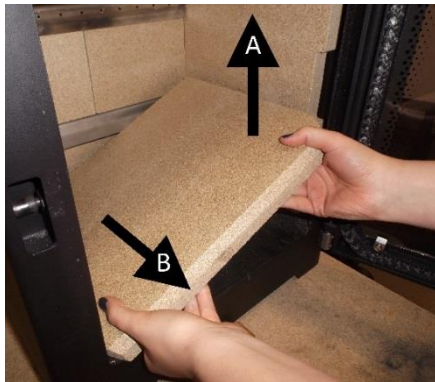
Instructions for installation and use

## **REMOVING INTERNAL PARTS**

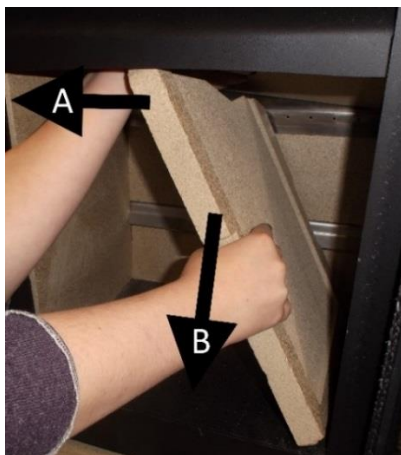
1. Remove the log retainer.



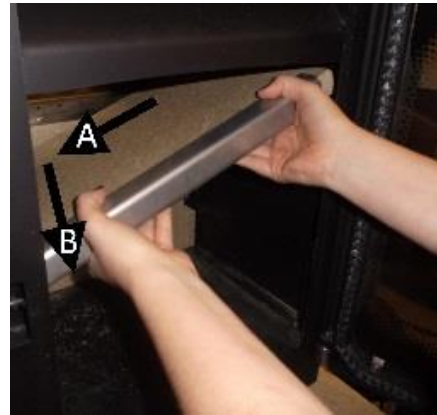
2. Remove the base brick by lifting up on one side (A) and sliding out of the stove (B).



3. Remove the right-hand side brick, taking care not to disturb the top rear bricks. Pull top inwards (A) and then remove from the stove (B).



4. Remove the baffle brick by lowering (A) downwards into the bottom of the stove and pull outwards (B).

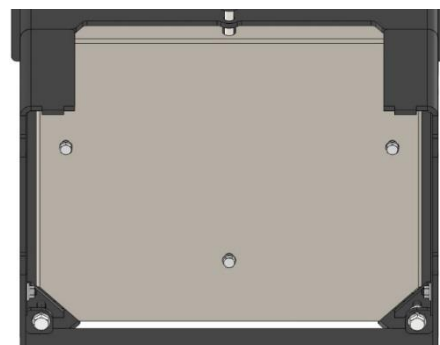


5. Remove the left-hand side brick using the same method described in step 3.
6. Lie the stove on its back and remove the four levelling screws.

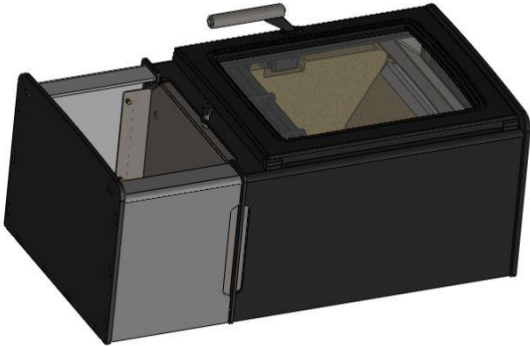


## **FITTING THE PLINTH**

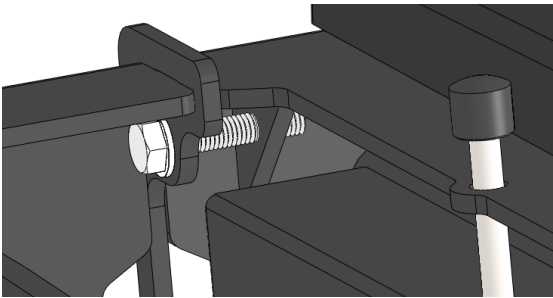
1. Fit the heat shield to the underside of the stove and secure using the three supplied M6 x 30mm screws and washers (The base of the plinth has been hidden for illustrative purposes).



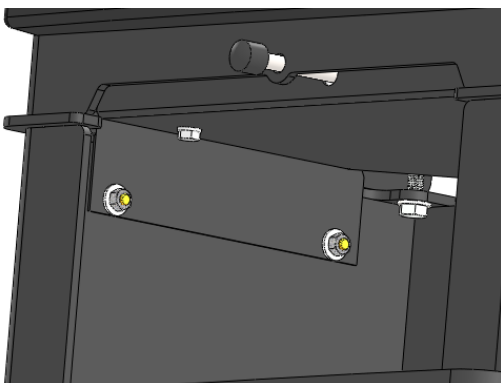
2. Offer the plinth into position, ensuring that the edges of it are aligned with the edges of the stove body.



3. Place the supplied M8 x 17mm washers over the levelling screws and refit them to the stove, this time passing them through the loops in the plinth.



4. Stand the stove upright and fit the blanking plates to complete the process.



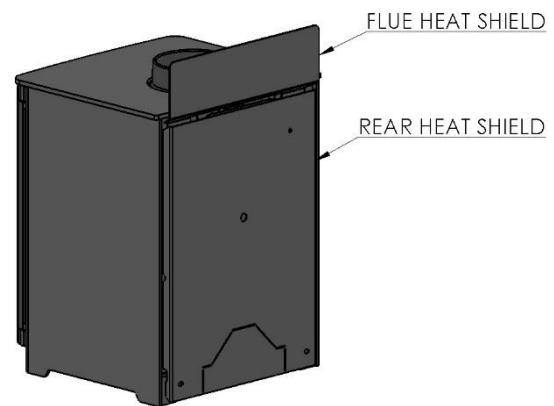
## **FUEL STORAGE**

The Aspect plinths have been designed and tested to satisfy the requirements of BS EN 13240. Fuel may be stored in the plinth but must not touch the heat shield.

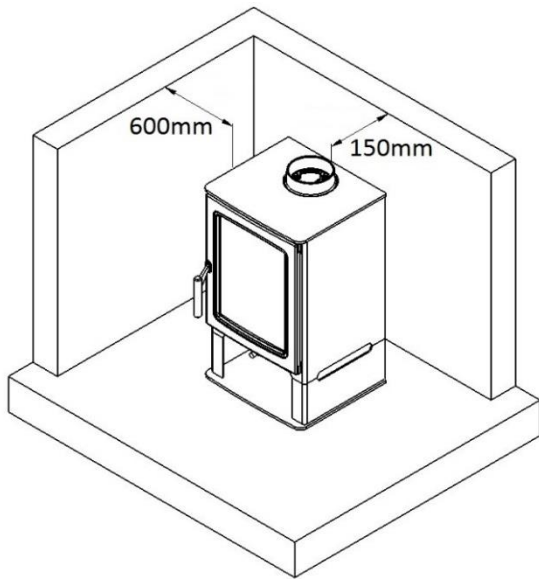
## **DISTANCES TO COMBUSTIBLE MATERIAL**

Combustible material refers to any material that will degrade when subjected to heat e.g. plaster.

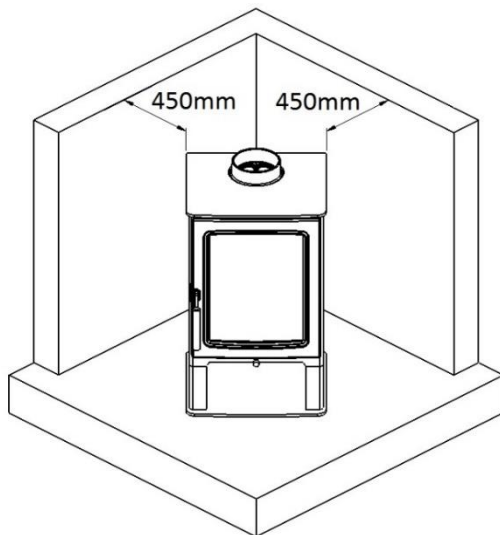
Please note that in order to achieve the specified minimum clearance distances, the stove must be fitted with rear and flue heat shields and twin-wall flue pipe must be used.



### PARALLEL TO WALL INSTALLATION



### CORNER INSTALLATION



**PARKRAY**   
THE FIRST NAME IN SOLID FUEL