

AF (Adjustable Flame)**

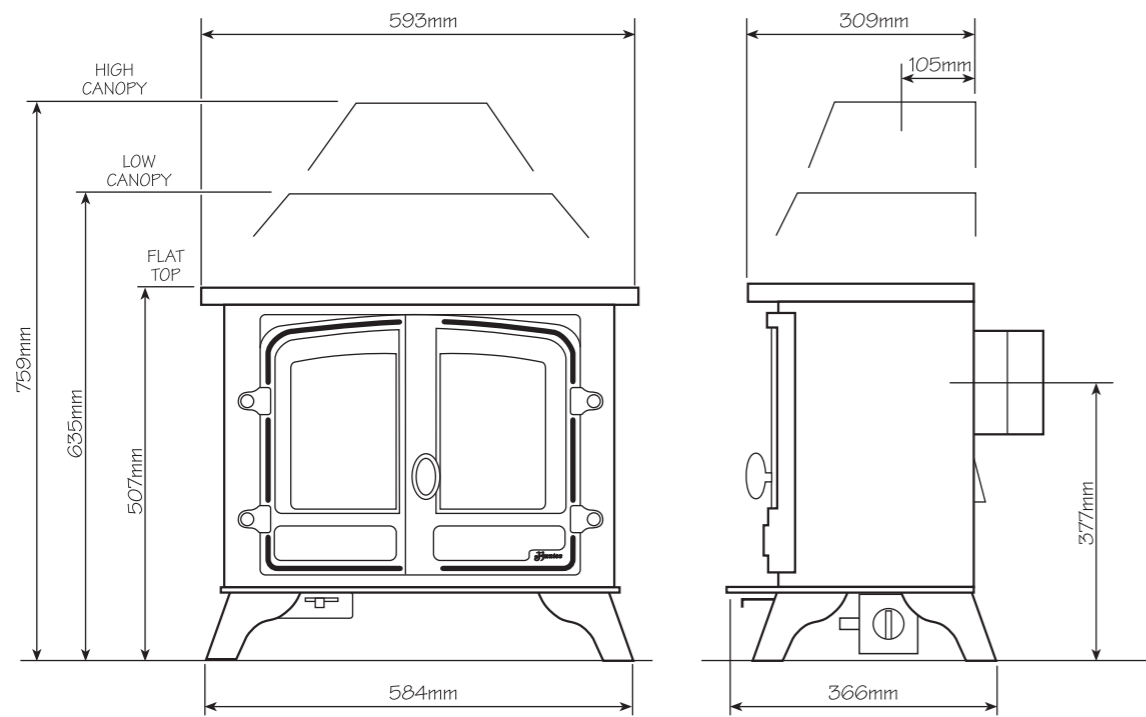


For several years, gas fire developers and engineers have tried to produce a variable flame-effect burner suitable for use in all types of gas fire. Open-fire units for both natural gas and LPG appliances were developed some time ago but now, following a recent breakthrough at Hunter Stoves, the design and production of an approved variable flame burner for use in closed stoves has finally been achieved. Our new burner, which gives the customer the ability to create and infinitely adjust flame affect and colour is unique to the Hunter Classic range.

The Hunter Guarantee



Hunter stoves are made from the highest grade raw materials and assembled with expertise and care. The quality casings and door castings used in our range of gas stoves should last indefinitely and are covered by our no quibble, lifetime guarantee. Most other components are subject to 12 months guarantee from the time of purchase. This guarantee does not affect your statutory rights.



Classic / Panoramic	Natural Gas	Butane	Propane
Heat Input	Full Rate: 6Kw	Full Rate: 4.8Kw	Full Rate: 4.8Kw
Supply Pressure	20mBar	29Mbar	37Mbar
Maximum Nominal Output	4.5Kw	3.6Kw	3.6Kw
Flue	Interchangeable 125mm Top or Rear Flue Exit suitable for any Class I or Class II Flue		
Ignition	Piezo Ignition, with permanent pilot, Flame Supervisor Device, Variable Rotor Control, plus TTD Flue Blocking Sensor		

Hunter Stoves reserve the right to change the specification at any stage without prior notice



Your Local Dealer is:



A new age for elegant home heating.



the **HUNTER CLASSIC**
Gas Stove