

Technical Key

Multi-Fuel Stoves



	Herald 8	Herald 14	Herald 8	Herald 8	Herald 14	Herald 14	Herald 8	Herald 14	Hunter 80b	Inglenook
	Room Heater	Room Heater	Double single	Double Double	Double single	Double Double	Central Heating (29000btu boiler)	Central Heating (44000btu boiler)	Central Heating (54,600btu boiler)	Room Heater
output nominal / max Kw	7.5-9.5 kw	9-11.5 kw	7.6-8.9 kw	11 kw	11.6-12.5	17.8	1.7-2.5kw	3.7-5.3	4.5-10	TBA
Efficiency on wood %	78.9	78.6	74.3	79	75.7	71.1	73.4	73.6	71	TBA
Flat Top	✓	✓	✓	✓	✓	✓	✓	✓	✓	✓
Low Canopy option	•	•	•	•	•	•	•	•	•	•
High Canopy Option	•	•	•	•	•	•	•	•	~	•
Double door option	✓	✓	✓	✓	✓	✓	✓	✓	✓	✓
Single door option	•	•	•	•	•	•	•	•	~	•
Multi Fuel Option (Riddling Grate)	•	•	•	•	•	•	•	•	•	•
Wood Burning only option	•	•	•	•	•	•	•	•	•	•
Black knob set	✓	✓	✓	✓	✓	✓	✓	✓	✓	✓
Brass Knob	•	•	•	•	•	•	•	•	•	•
Full Brass Set	•	•	•	•	•	•	•	•	•	•
Flue Damper	•	•	•	•	•	•	•	•	•	•
Sparkguard ³	•	•	•	•	•	•	•	•	~	•
Multi fuel Extention	•	•	•	•	•	•	•	•	~	•
Coloured finish	•	•	•	•	•	•	•	•	•	•
Non Standard Leg Height ¹	•	•	•	•	•	•	•	•	•	•
Clip in Boiler Option ²	•	•	~	~	~	~	~	~	~	~
Flue Gather Box	•	•	~	~	~	~	•	•	~	•
Ventilation (mm ²)	2255	4950	2145	3520	4565	7040	2255	4950	9075	TBA



Optional wood front



Optional brass door knob



Optional spark guard



Optional flue damper

✓ = standard
• = option
~ = not available

1. Optional Leg Height - you specify the size, we make to order

2. Boiler output, see page 16 - 18

3. Sparkguard - only available on double door options

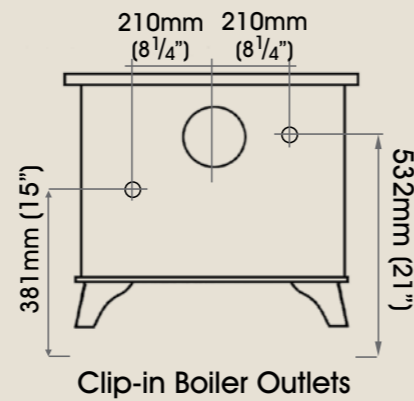
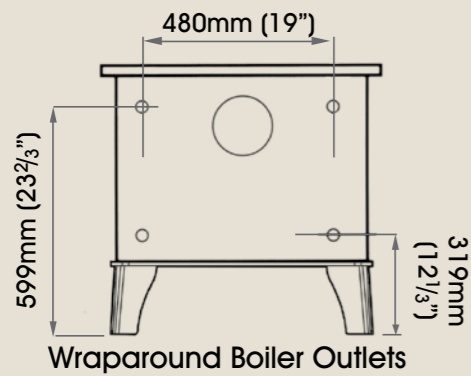
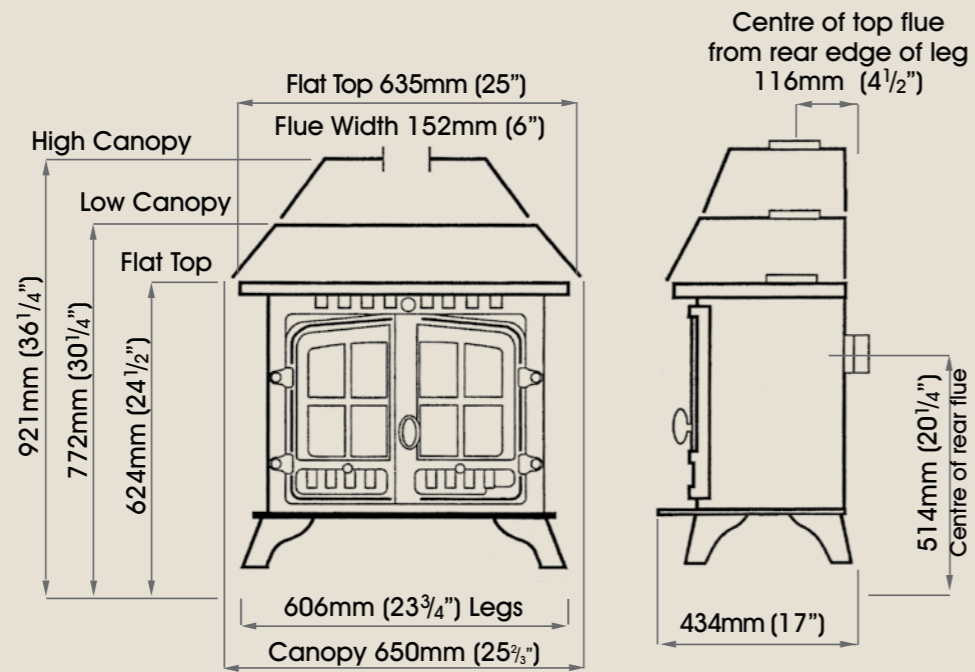
Herald 8, 14, 80b and High Output Inglenook

Technical Specifications

All the Herald stoves are manufactured from high quality 5mm thick steel and have cast iron components. They feature the new Hunter Cleanburn Technology, they all burn wood, smokeless fuels and peat on a dust-free de-ashing system, and have a hot airwash system keeping the glass clean to see through.



Herald 8



All dimensions shown are with standard 6" (152mm) leg lengths
All boiler outlets are 1" BSP

	Approximate weights		
Herald 8	With Wraparound Boiler	With Clip-in Boiler	
Flat Top	120Kg	135Kg	130Kg
Low Canopy	125Kg	141Kg	135Kg
High Canopy	128Kg	149Kg	138Kg

